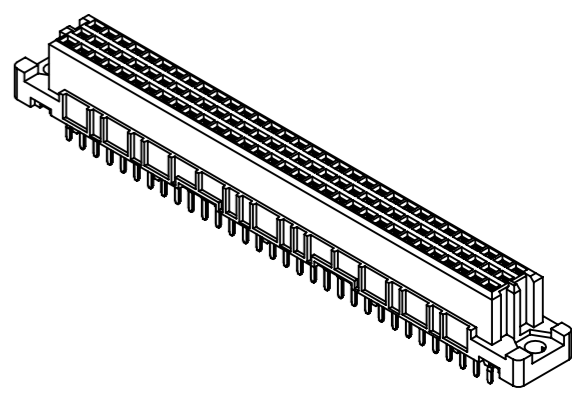
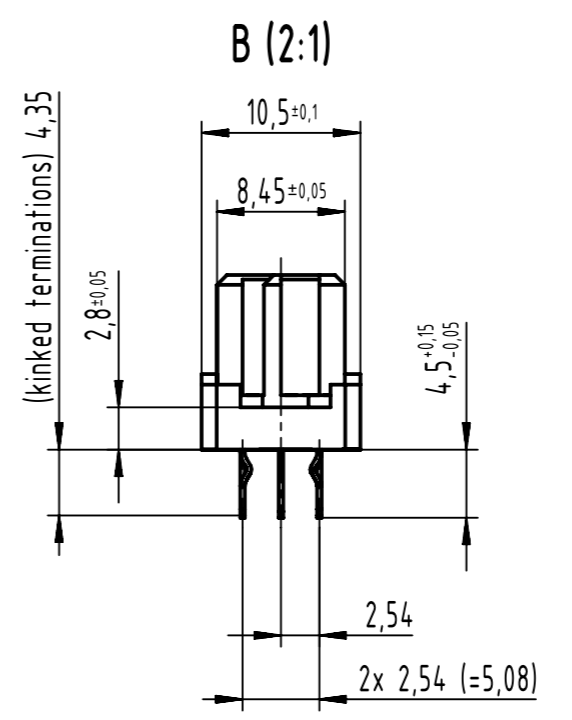
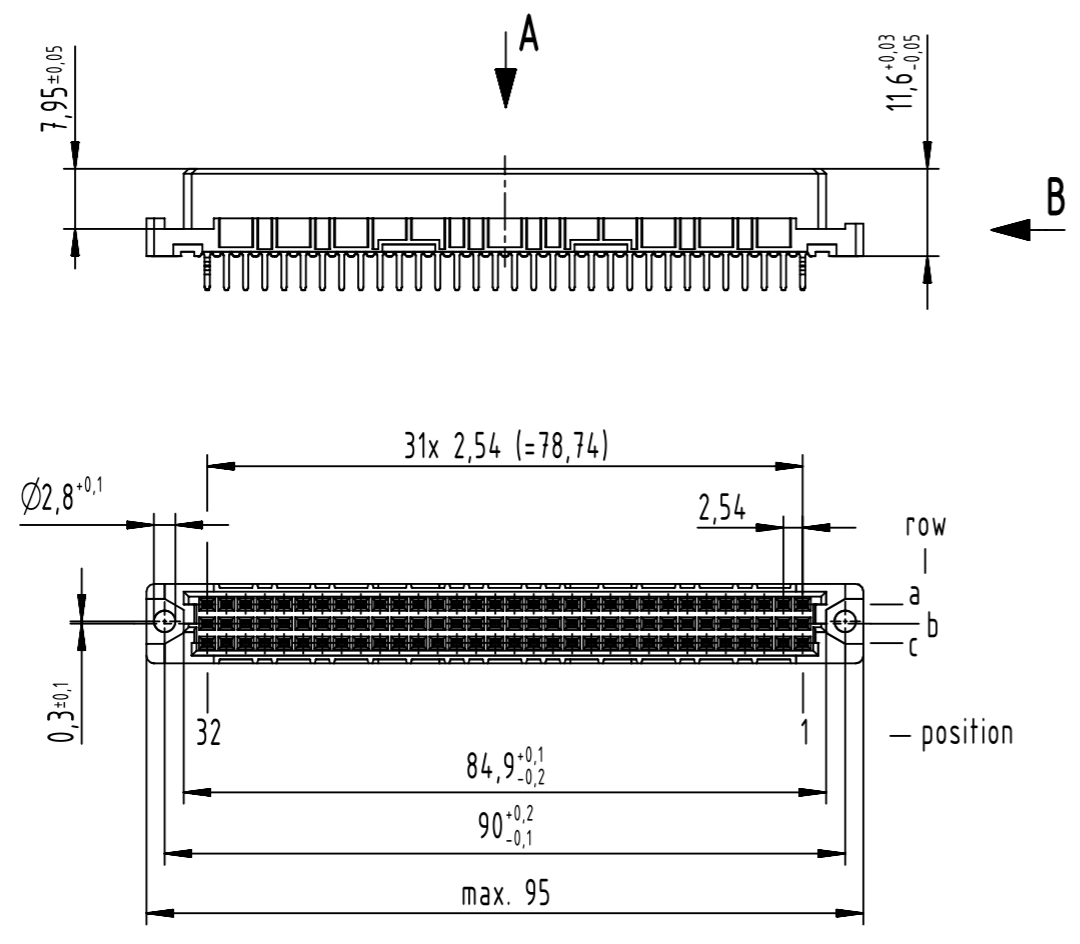


- 92 solder contacts
- 4 kinked solder contacts
- ☒ = solder contact
- = kinked solder contact
- = position without contact



only mateable with HARTING DIN NFF connector
 further information see product data sheet

09 03 296 6845 222	2
part no.	performance level

	All Dimensions in mm Original Size DIN A3		Scale 1:1	Free size tol. complementary IEC 60603-2		Ref. Sub.
	All rights reserved Department EL PD		Created by STORCK	Inspected by LEHNERT	Standardisation 302077	Date 2021-03-23
HARTING D-32339 Espelkamp		Title DIN Signal type C female solder 4.5 96-pole NFF			Doc-Key / ECM-Nr. 100173852/UGD/165/G 500000191082	
		Type TB	Number 0903296X845222		Rev. G	Page 1/1