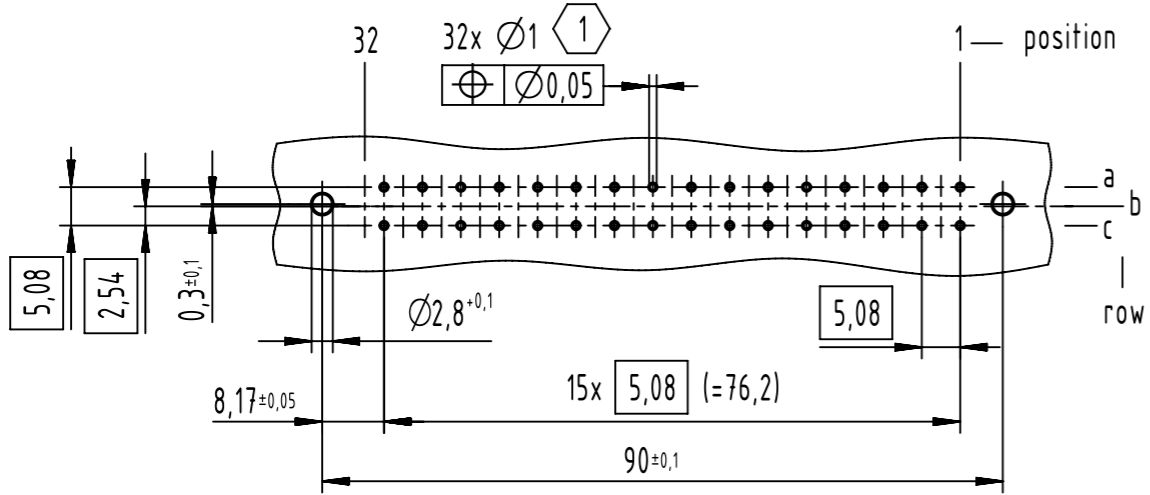


1 2 3 4 5 6 7 8

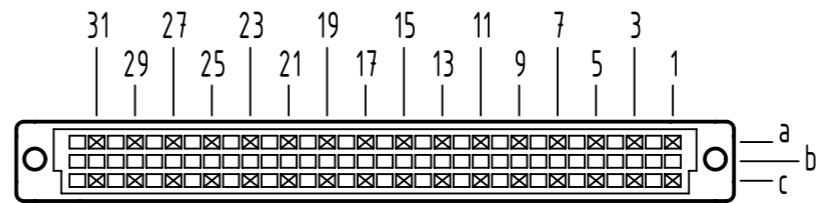
A
B
C
D
E
F

A
B
C
D
E
F

A
board drillings



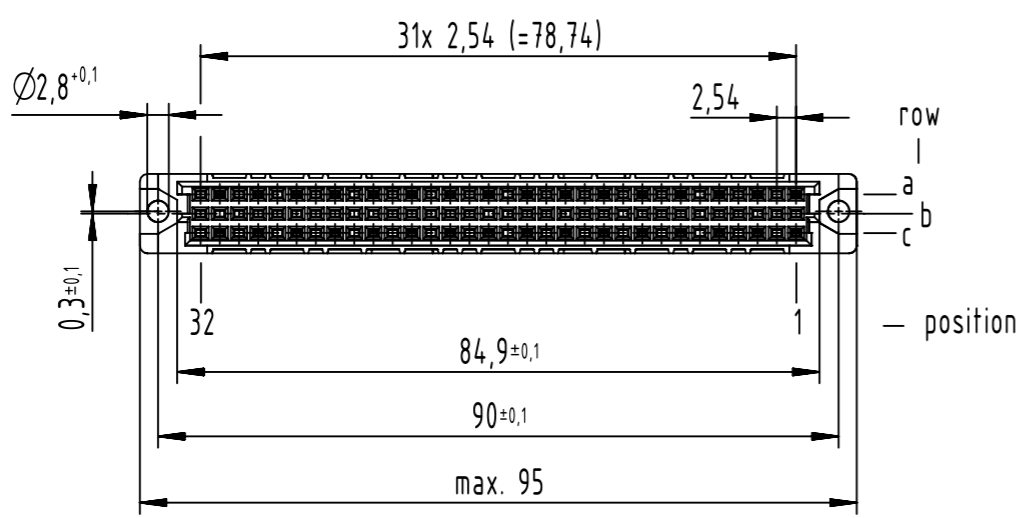
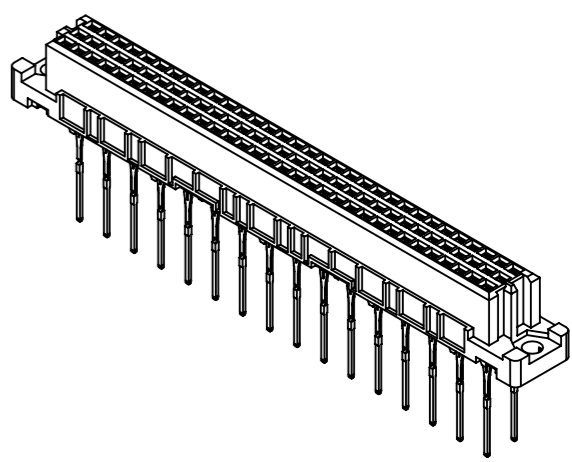
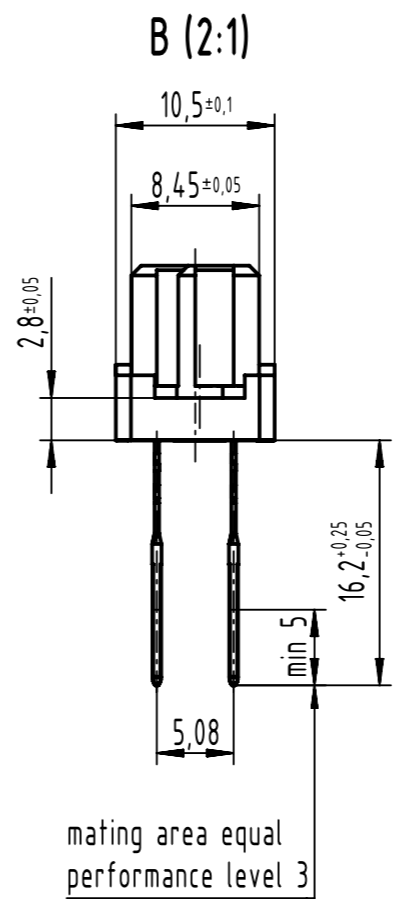
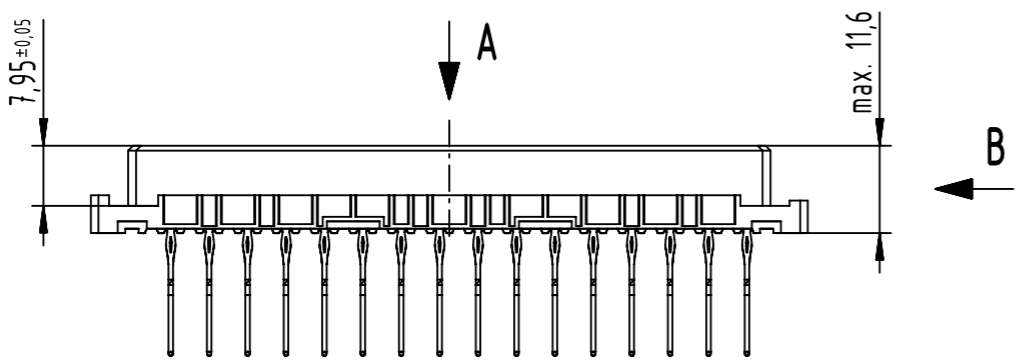
A
contact arrangement



32 press-in contacts

☒ = position with contact

☐ = position without contact



1 recommended configuration of plated through holes and further information see product data sheet

09 03 232 6411	2
part no.	performance level

All rights reserved Department EL PD HARTING D-32339 Espelkamp	All Dimensions in mm Original Size DIN A3	Scale 1:1 Free size tol. IEC 60603-2	Ref. Sub.	Created by STORCK	Inspected by LEHNERT	Standardisation 302077	Date 2021-02-16	State Final Release	Doc-Key / ECM-Nr. 100173852/UGD/241/G 500000189290
	Title DIN Signal type C female press-in 16.2 32-pole	Type TB	Number 0903232X411	Rev. G	Page 1/1				

1 2 3 4 5 6 7 8