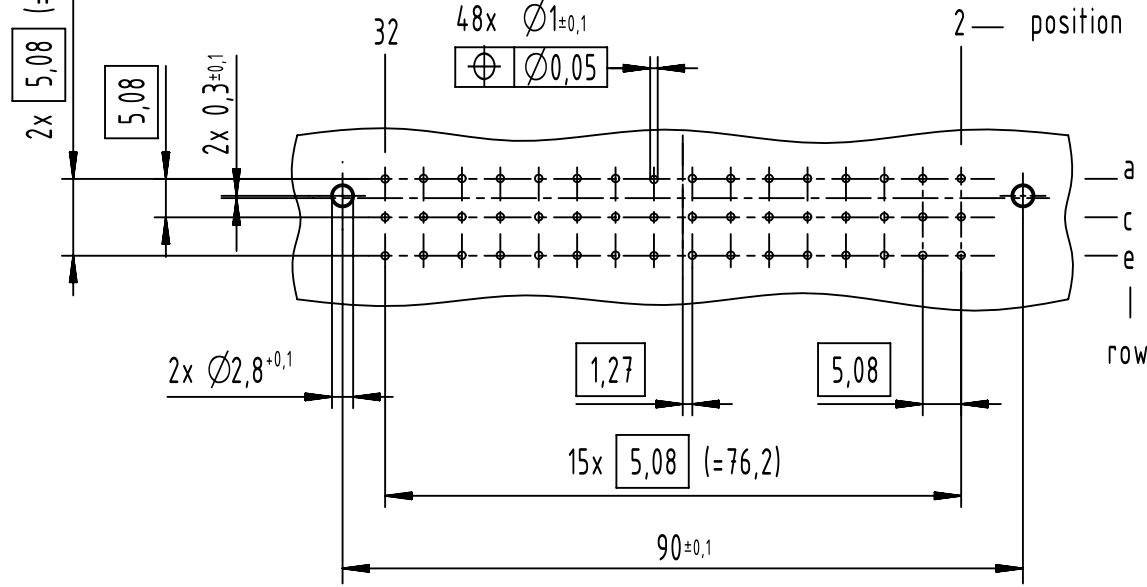


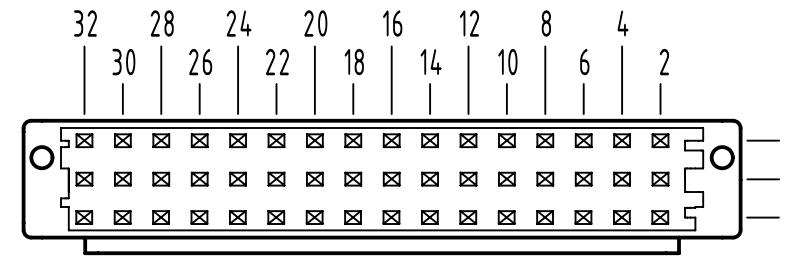
1 2 3 4 5 6 7 8

A  
B  
C  
D  
E  
F

**A**  
board drillings



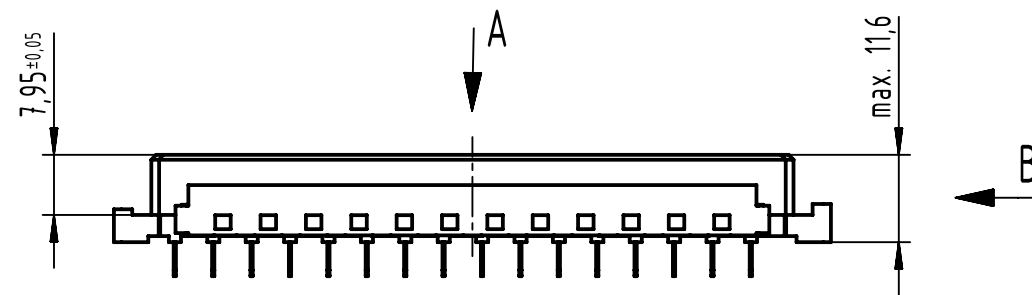
**A**  
contact arrangement



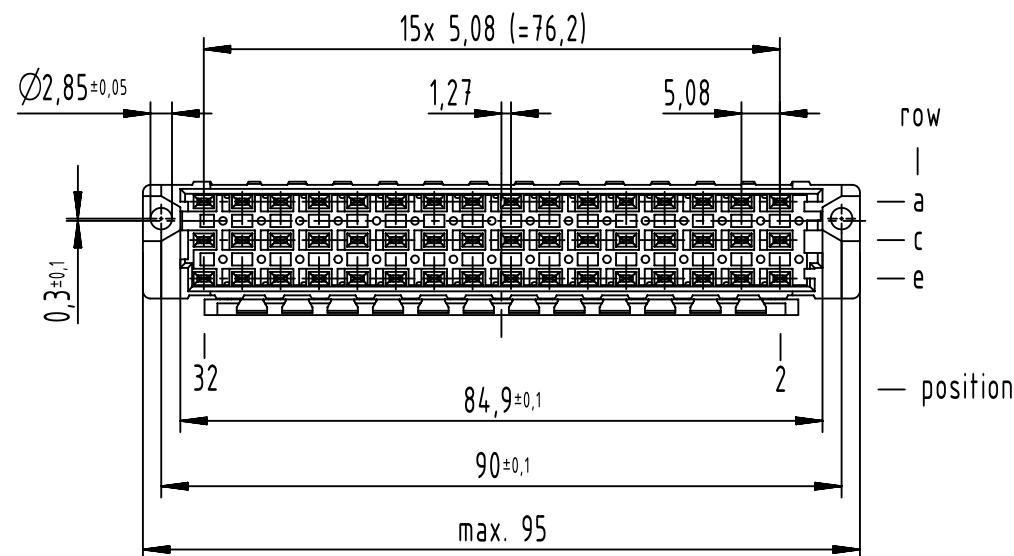
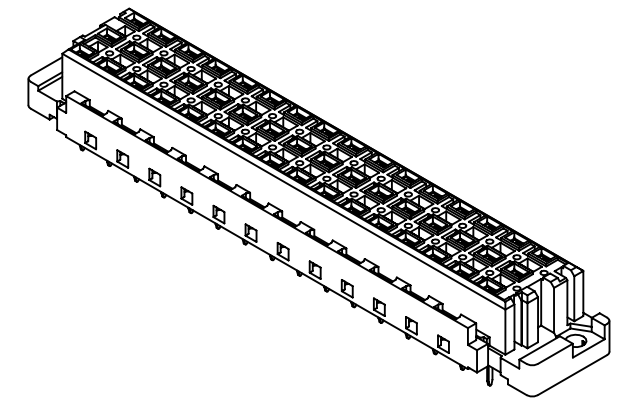
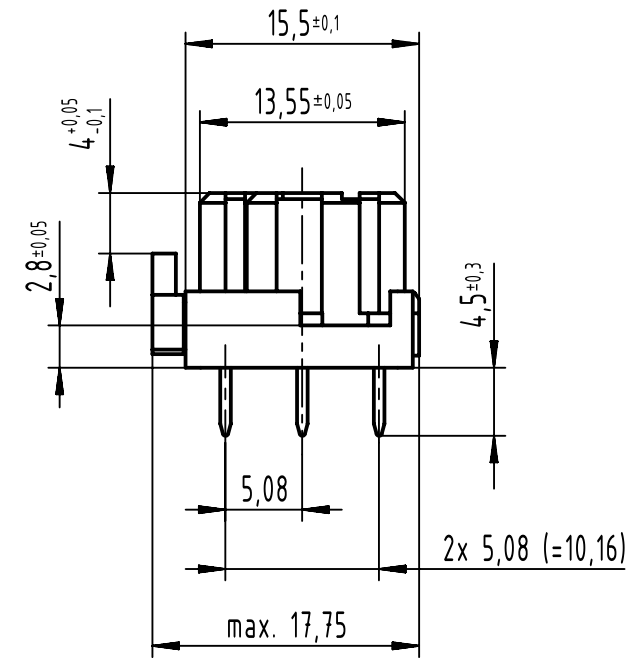
48 solder contacts

☒ = position with contact

◻ = position without contact



**B (2:1)**



further information see product data sheet

09 05 748 6831	2
09 05 748 2831	1
part no.	performance level

	All Dimensions in mm Original Size DIN A3		Scale 1:1	Free size tol.		Ref.	
	All rights reserved Department EL PD		Created by BUSSMANN	Inspected by STORCK	Standardisation	Date 2023-08-30	State Final Release
HARTING D-32339 Espelkamp		Title DIN Power type E female solder 4.5 with coding 48-pole				Doc-Key / ECM-Nr. 100217574/UGD/017/D 50000251568	
		Type TB	Number 0905748X831		Rev. D	Page 1/1	

1 2 3 4 5 6 7 8