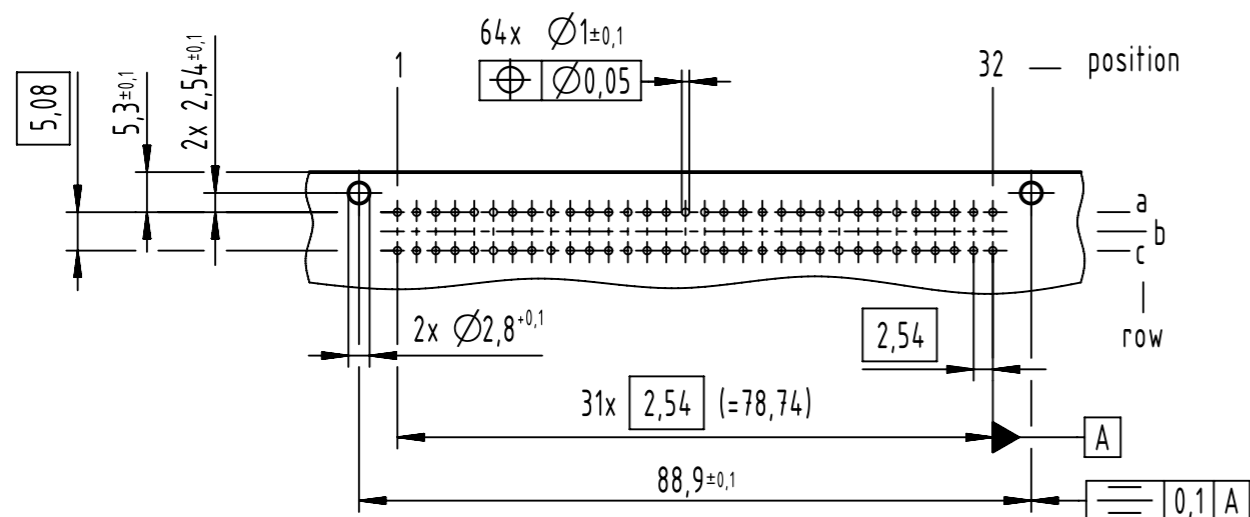
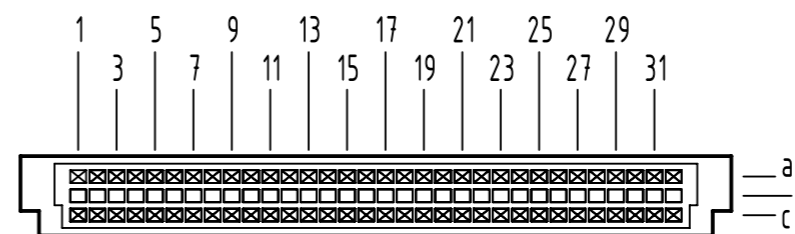


C
board drillings



B
contact arrangement

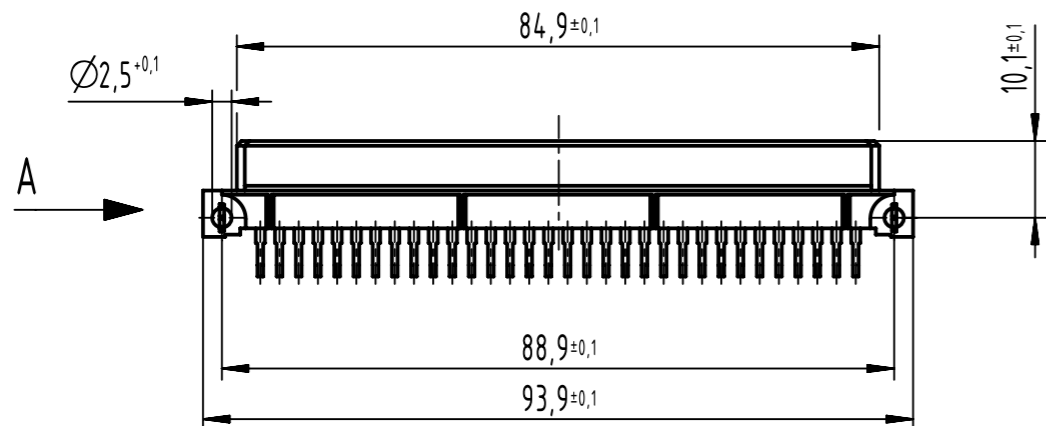


64 signal contacts

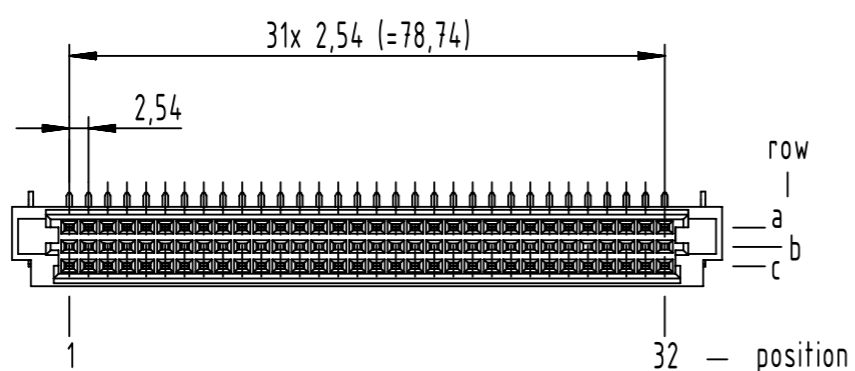
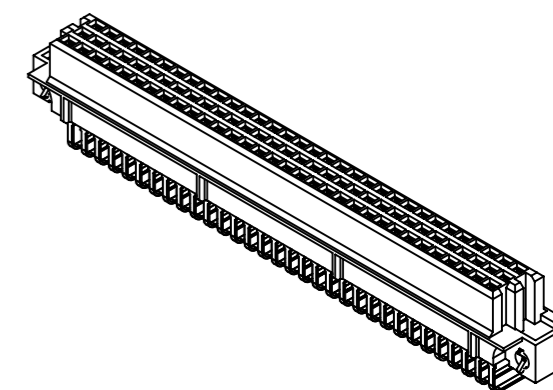
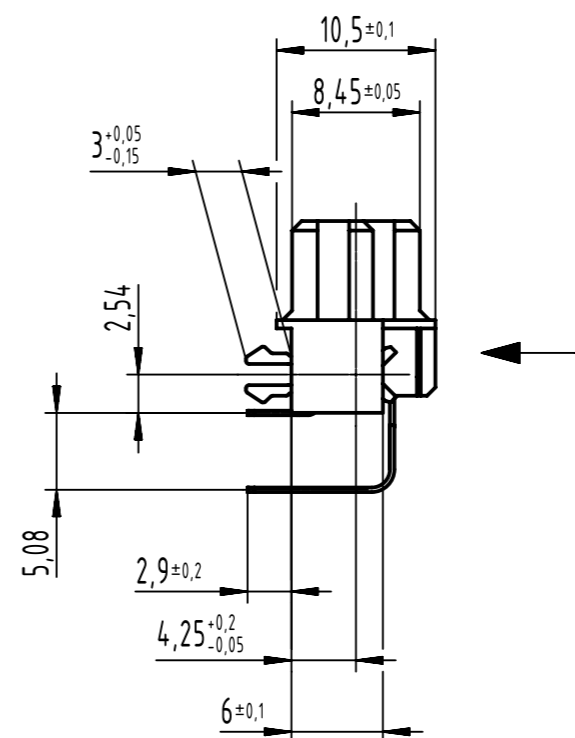
⊗ = position with contact

□ = position without contact

B



A (2:1)



further information see product data sheet

09 79 464 6801	2
part-no.	performance level

	All Dimensions in mm Original Size DIN A3		Scale 1:1	Free size tol. IEC 60603-2		Ref.
	All rights reserved Department EL PD		Created by 00103855	Inspected by STORCK	Standardisation	Date 2023-08-24
HARTING D-32339 Espelkamp		Title DIN Signal type R LM female solder w. clip 64-pole			Doc-Key / ECM-Nr. 100170225/UGD/017/B 500000250660	
		Type TB	Number 0979464X801		Rev. B	Page 1/1