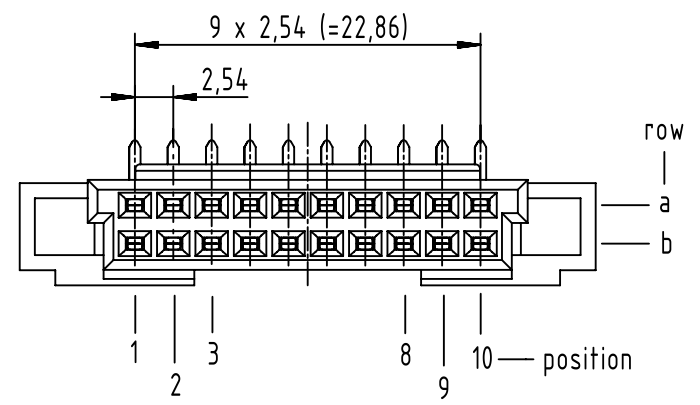
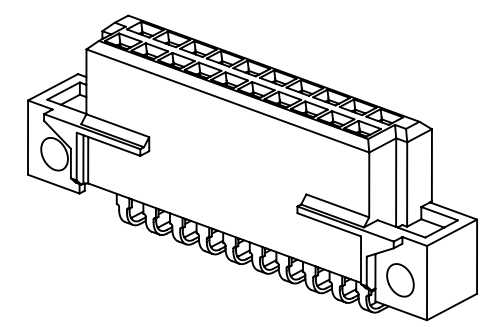
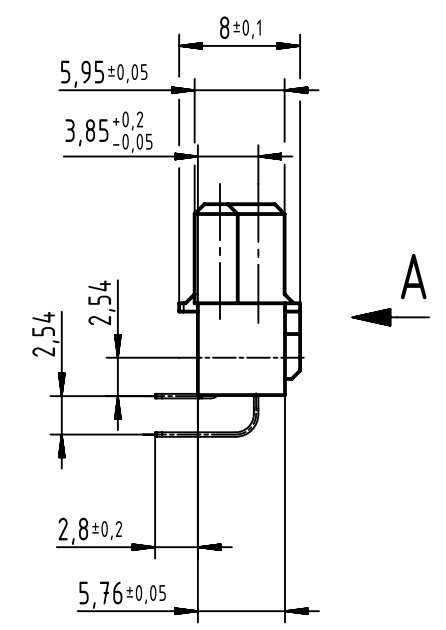
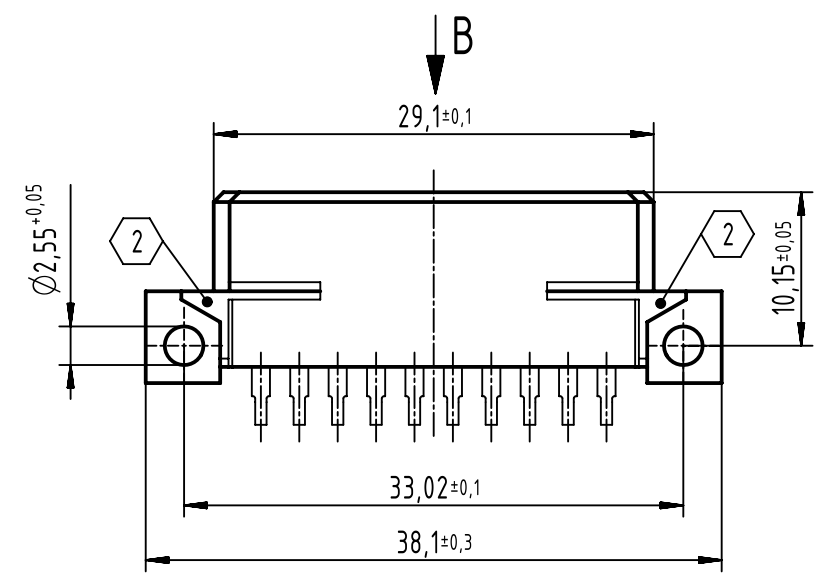


20 signal contacts

X = position with contact

□ = position without contact



2 production process related cutting area, no functional impact

1 further information see: DS 09732200201

| | |
|----------------|---------------------|
| 09 75 220 6801 | 2 |
| part no. | performance level 1 |

| | | | | |
|---|--|-----------------------|---|--|
| | All Dimensions in mm Original Size DIN A3 | Scale 2:1 | Free size tol. complementary IEC 60603-2 | Ref. |
| | All rights reserved Department EL PD | Created by STORCK | Inspected by LEHNERT | Standardisation HOFFMANN |
| HARTING Electronics GmbH D-32339 Espelkamp | Title DIN Signal type 3Q female solder angled 20-pole | | | Doc-Key / ECM-Nr. 100621784/UGD/012/B 500000154588 |
| | Type TB | Number 0975220X801 | Date 2019-07-16 | State Final Release |
| | | | | Rev. B |
| | | | | Page 1/1 |