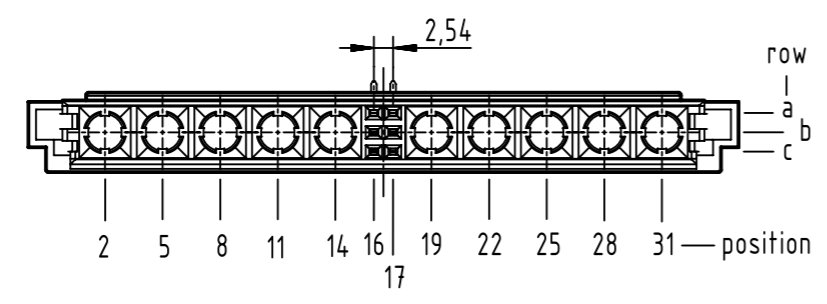
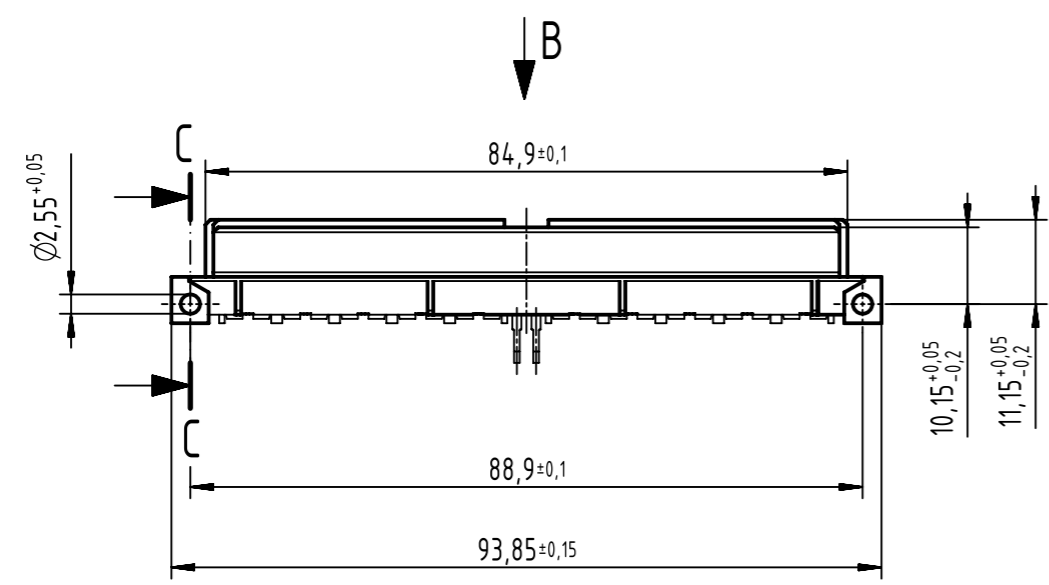
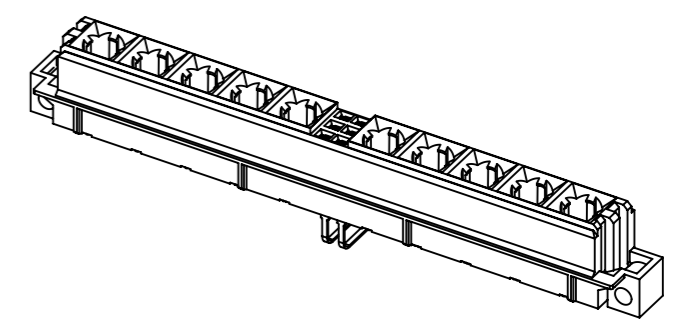
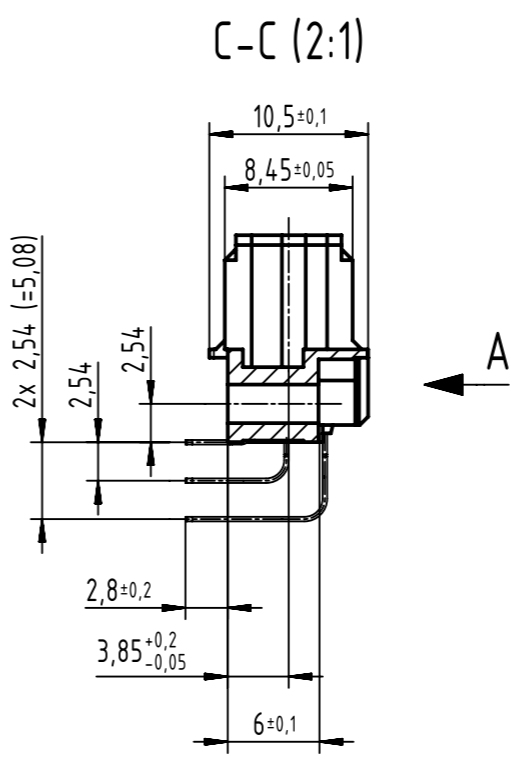


6 signal contacts
 ☒ = position with contact
 ☐ = position without contact



2 hole diameter is to be coordinated with the respective contact
 1 further information see: DS 09732200203

09732066801	2
part no.	performance level 1

All rights reserved Department EC PD - DE HARTING Electronics GmbH D-32339 Espelkamp	All Dimensions in mm Original Size DIN A3	Scale 1:1 Free size tol. complementary IEC 60603-2	Ref. Sub. TB 0973206x801 / ECM 500000083791 / 2015-02-10		
	Created by HASELOH	Inspected by LUECKEMEIERM	Standardisation HOFFMANN	Date 2015-06-08	State Final Release
Title DIN Signal type M6+10 invers female connector 6-pole			Doc-Key / ECM-Nr. 100542433/UGD/002/B 500000089713		
Type TB		Number 0973206X801		Rev. B	Page 1/1