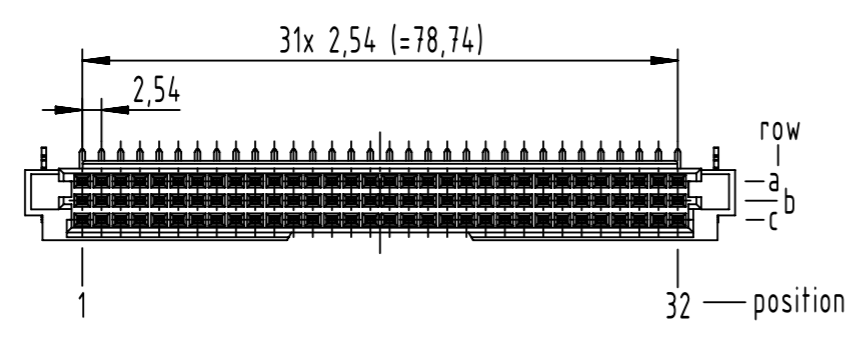
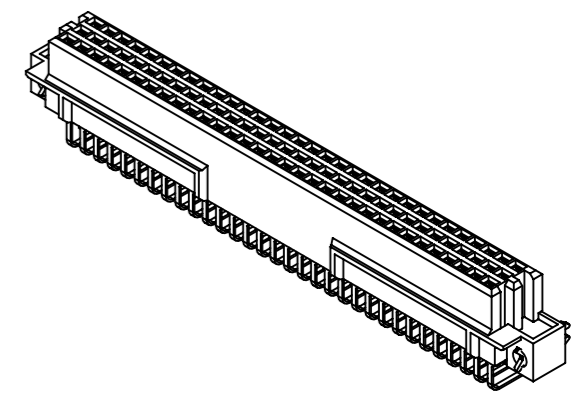
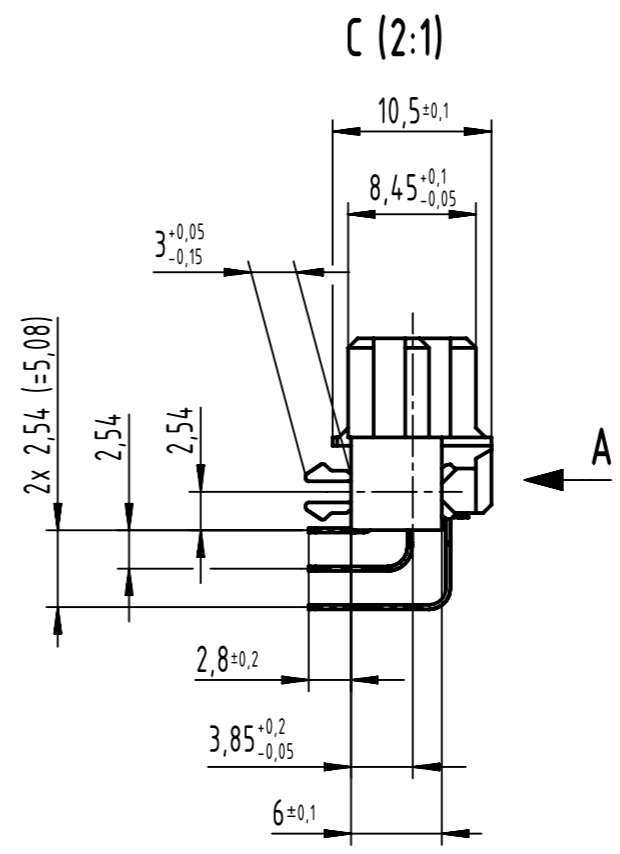
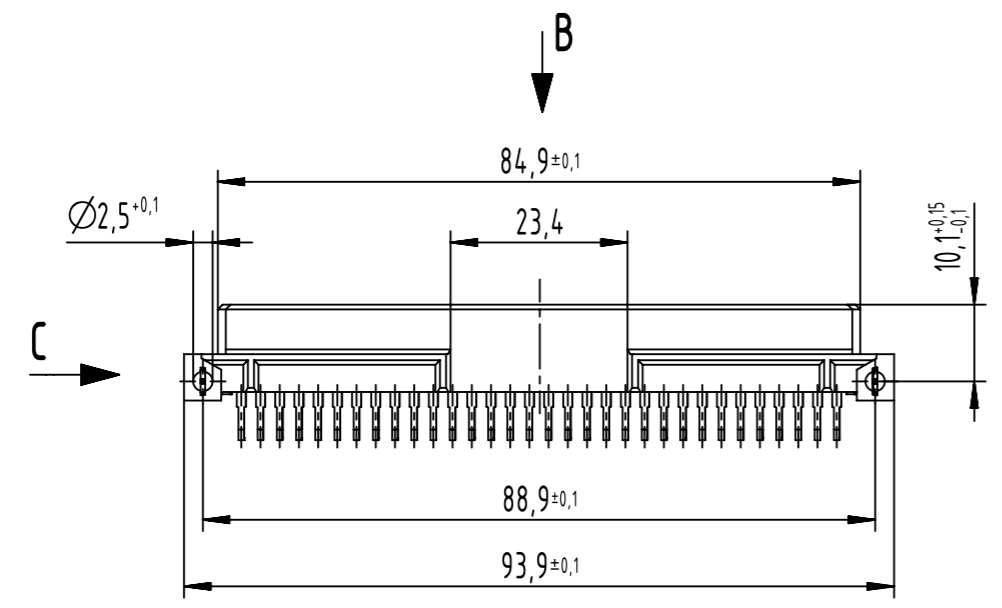


96 signal contacts
 x = position with contact
 □ = position without contact



further information see product data sheet

09 73 496 6804	2
09 73 496 2804	1
part no.	performance level

	All Dimensions in mm Original Size DIN A3		Scale 1:1	Free size tol. complementary IEC 60603-2		Ref.
	All rights reserved Department EL PD		Created by STORCK	Inspected by LEHNERT	Standardisation	Date 2023-10-18
HARTING D-32339 Espelkamp		Title DIN Signal type R female solder angled clip 96-pole THR			Doc-Key / ECM-Nr. 100104.712/UGD/091/D 50000230198	
		Type TB	Number 0973496X804		Rev. D	Page 1/1