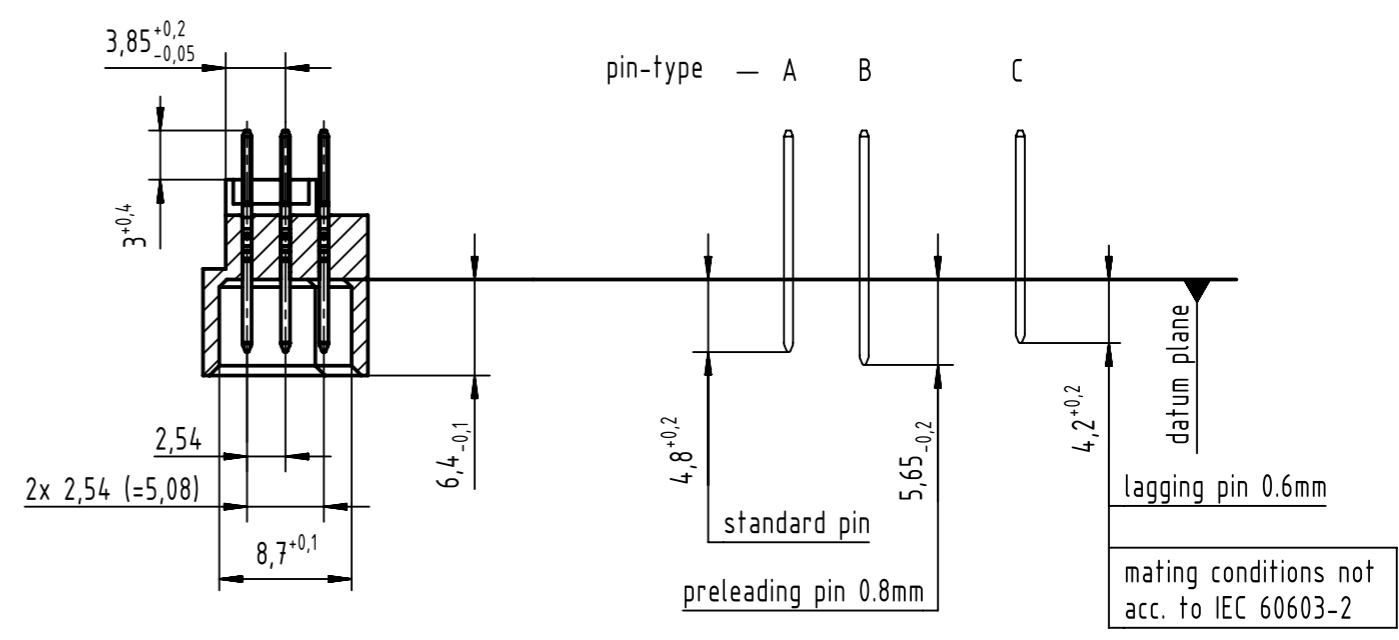
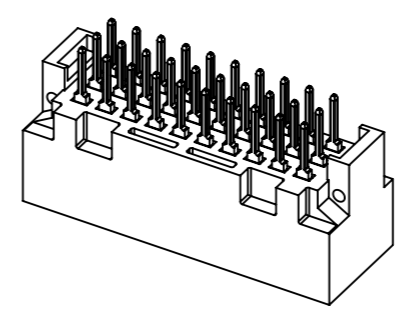
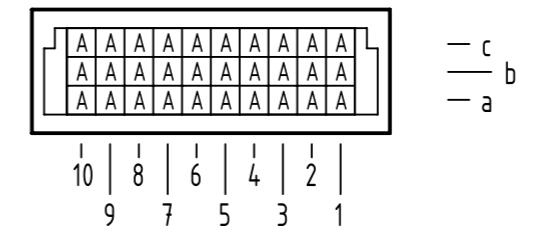


A-A (2:1)



B
contact loading



① further information see: DS 09031200201

09 25 130 6572	2
part no.	performance level ①

<p>All rights reserved Department EC PD - DE</p> <p>HARTING Electronics GmbH D-32339 Espelkamp</p>	<p>All Dimensions in mm Original Size DIN A3</p>	<p>Scale 1:1</p>	<p>Free size tol. IEC 60603-2</p>	<p>Ref. Sub. TB 09 25 130 x572 / 35605 / 05.05.2009</p>
	<p>Created by HAGEMEYERE</p>	<p>Inspected by ELLERMANN</p>	<p>Standardisation HOFFMANN</p>	<p>Date 2015-09-02</p>
<p>Title DIN Signal type 3C male w/o flange solder 30-pole</p>				<p>Doc-Key / ECM-Nr. 100184619/UGD/013/B 50000092553</p>
		<p>Type TB</p>	<p>Number 0925130X572</p>	<p>Rev. B</p>
				<p>Page 1/1</p>