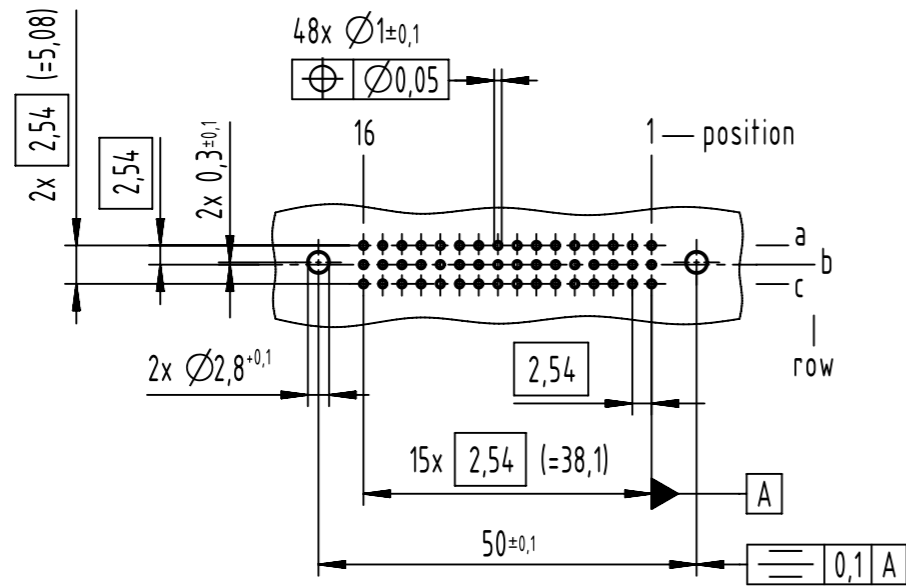
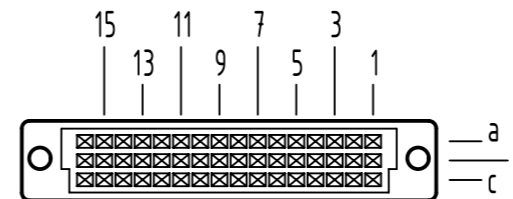


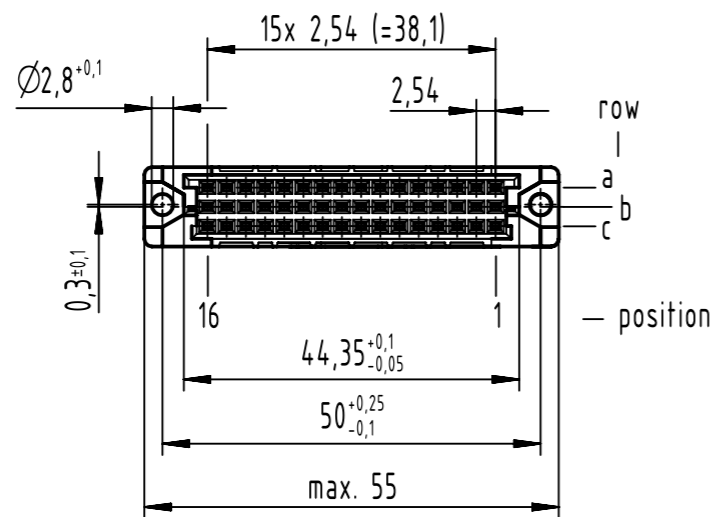
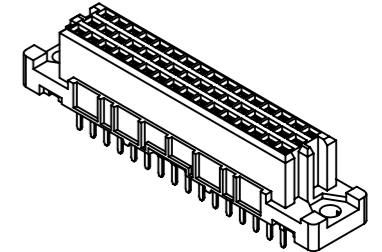
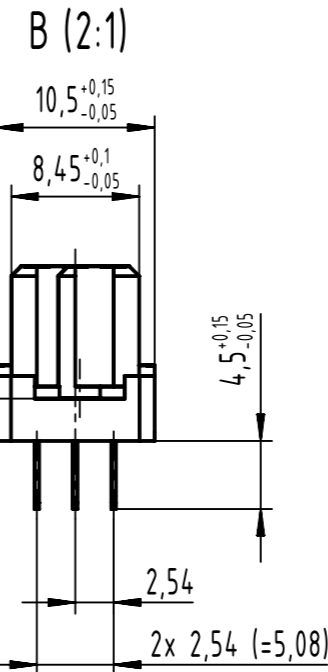
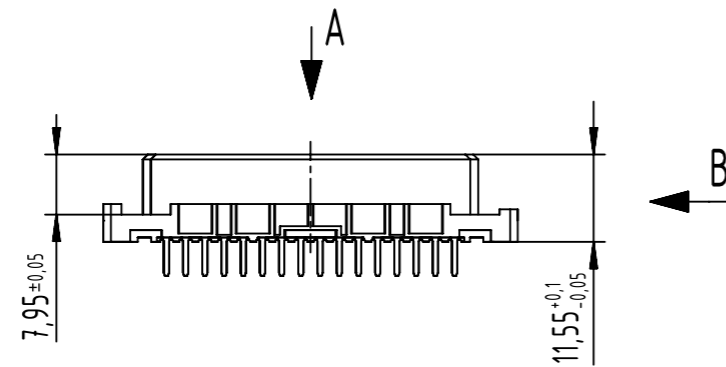
A
board drillings



A
contact arrangement



48 solder contacts
 ☒ = position with contact
 □ = position without contact



09 23 248 6825 222	2
09 23 248 2825 222	1
part no.	performance level

further information see product data sheet

All rights reserved Department EL PD HARTING D-32339 Espelkamp	All Dimensions in mm Original Size DIN A3	Scale 1:1 Free size tol. complementary IEC 60603-2	Ref. Sub.	Created by STORCK	Inspected by LEHNERT	Standardisation	Date 2021-11-05	State Final Release
	Title DIN Signal type 2C female solder 4.5 NFF 48-pole							Doc-Key / ECM-Nr. 100181948/UGD/055/D 500000204801
		Type TB	Number 0923248X825222		Rev. D	Page 1/1		