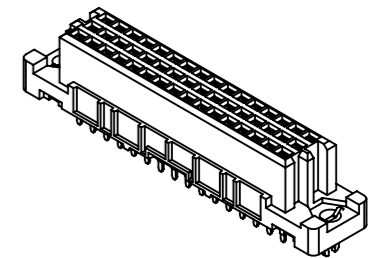
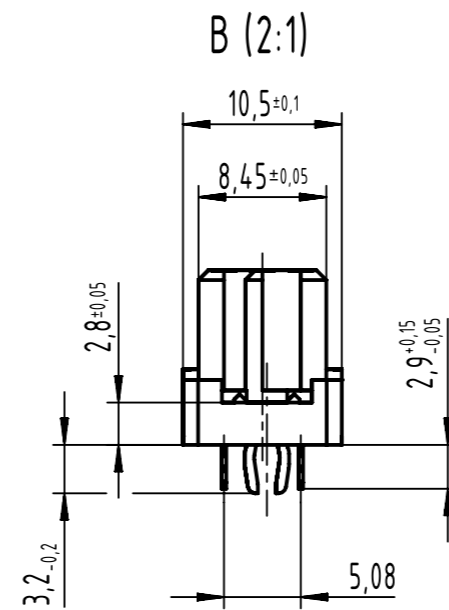
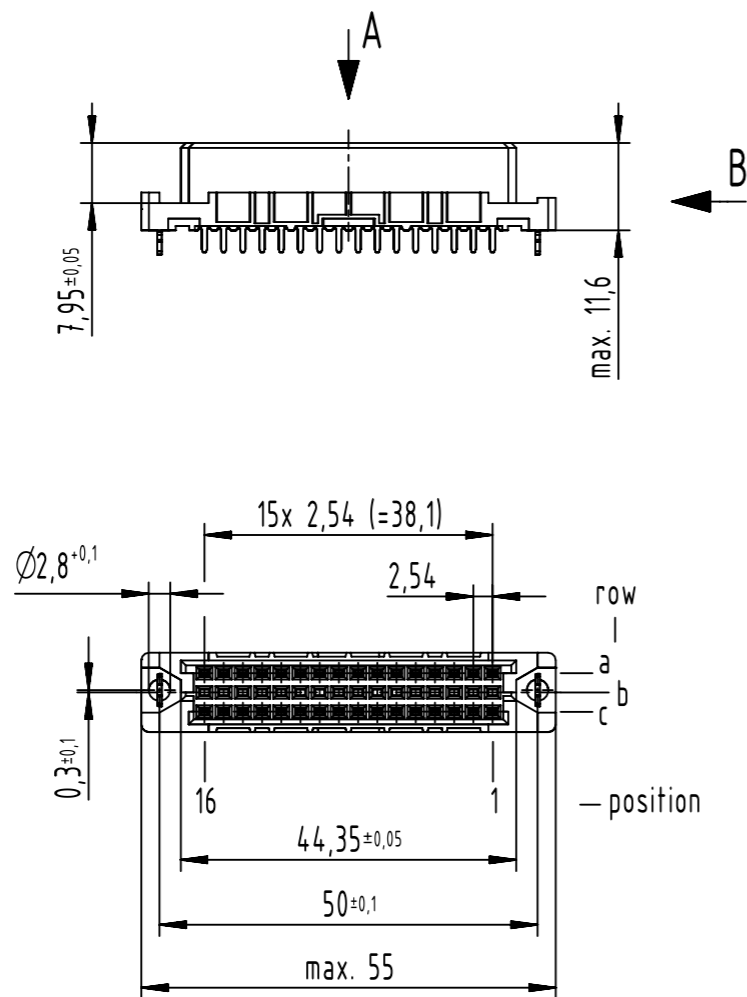


32 solder contacts
 ☒ = solder contact
 □ = position without contact



further information see product data sheet

09 23 432 6824	2
part no.	performance level

All rights reserved Department EL PD HARTING D-32339 Espelkamp	All Dimensions in mm Original Size DIN A3	Scale 1:1	Free size tol. IEC 60602-3	Ref. Sub. TB 09 03 432 x824 / Mod. 36417 / 19.07.2011	
	Created by STORCK	Inspected by LEHNERT	Standardisation	Date 2021-11-05	State Final Release
Title DIN Signal type 2C female solder 2.9 clip 32-pole		Type TB	Number 0923432X824	Rev. C	Page 1/1