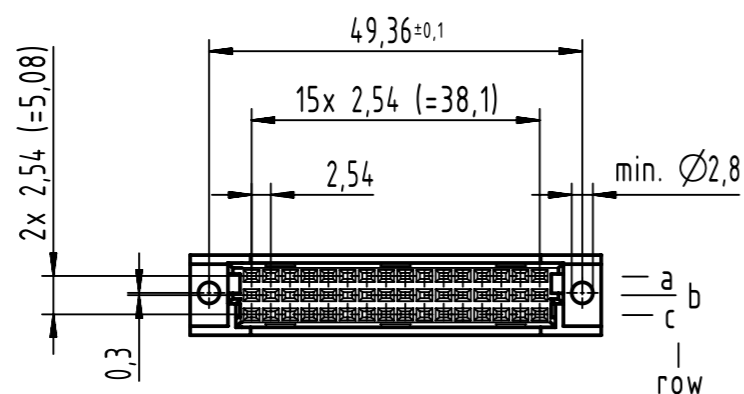
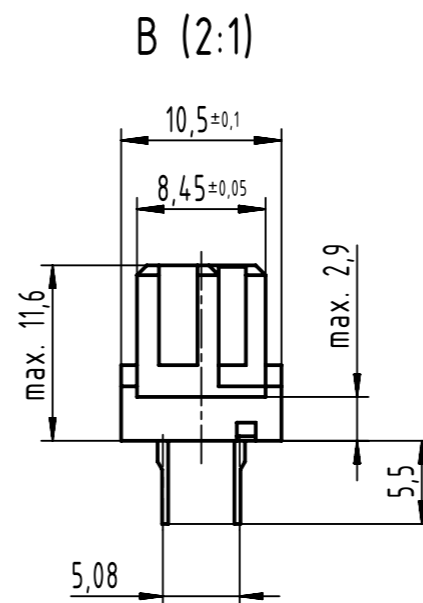
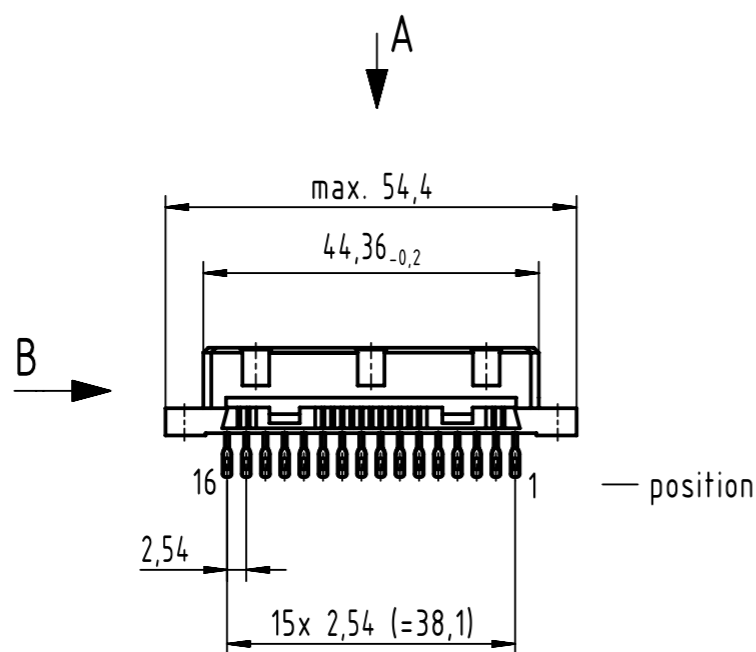


32 solder lug contacts
 ☒ = position with solder lug 5.5mm
 □ = position without contact



further information see product data sheet

| | |
|----------------|-------------------|
| 09 23 232 6823 | 2 |
| part no. | performance level |

| | | | | | | | |
|------------------------------|---------------------|-------------------------------------------------------|-------------------------|---------------------------|--------------------|----------------------------------------------------------|-------------|
| | All rights reserved | Created by STORCK | Inspected by LEHNERT | Standardisation 302077 | Date 2021-07-05 | State Final Release | |
| | Department EL PD | Title DIN Signal type 2C female solder lug 32-pole | | | | Doc-Key / ECM-Nr. 100084933/UGD/005/E 500000198117 | |
| HARTING D-32339 Espelkamp | Type TB | Number 0923232X823 | | | | Rev. E | Page 1/1 |