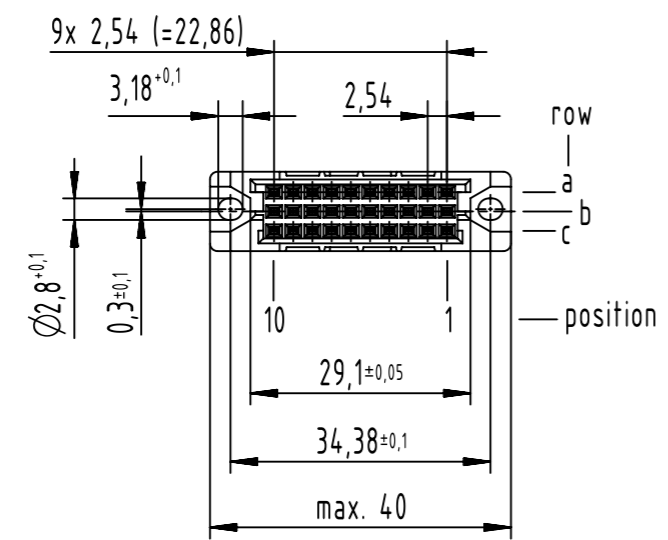
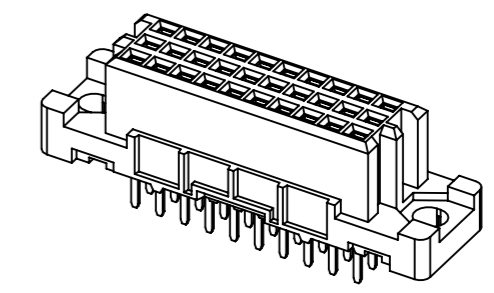
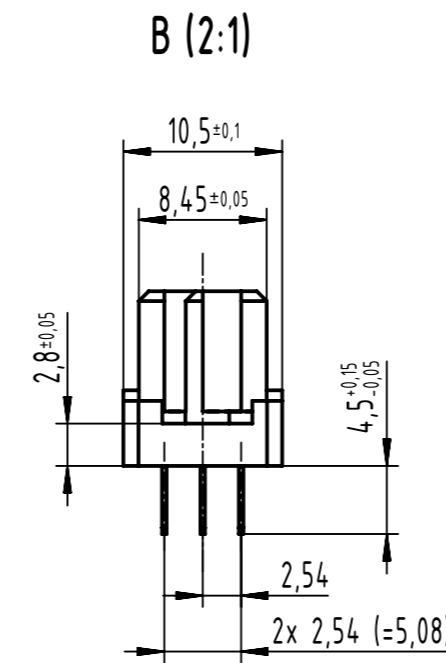
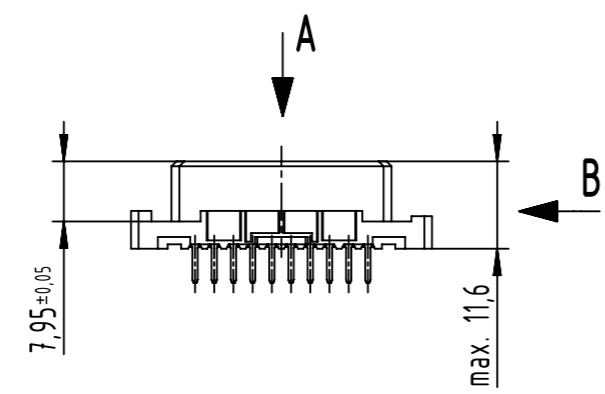


30 solder contacts
☒ = solder contact
□ = position without contact



09 25 230 5825 015	Au30
09 25 230 6825	2
part no.	performance level

further information see product data sheet

	All Dimensions in mm Original Size DIN A3		Scale 1:1	Free size tol. IEC 60603-2	Ref. Sub.
	All rights reserved Department EL PD		Created by STORCK	Inspected by LEHNERT	Standardisation SAP_WFRT
HARTING D-32339 Espelkamp		Title DIN Signal type 3C female solder 4.5 30-pole			Date 2022-10-17
		Type TB	Number 0925230X825		State Final Release
				Doc-Key / ECM-Nr. 100174922/UGD/030/C 50000227342	Page 1/1