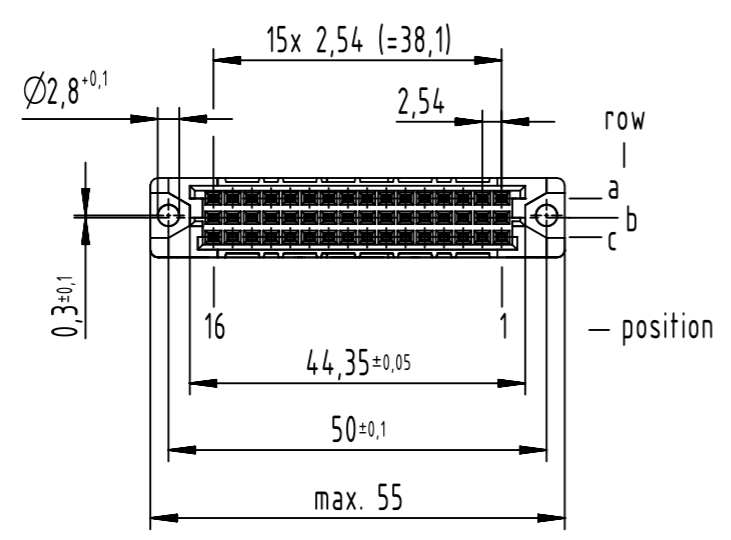
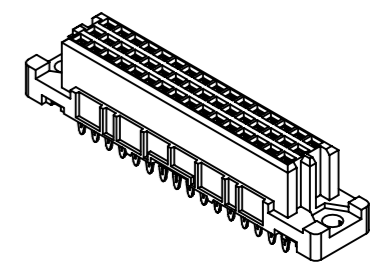
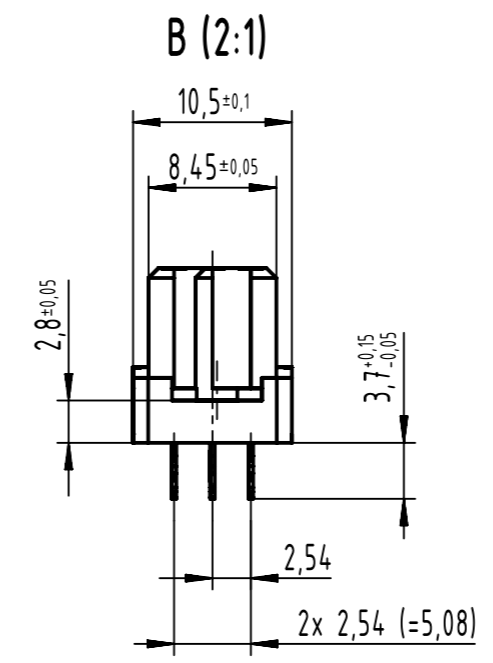
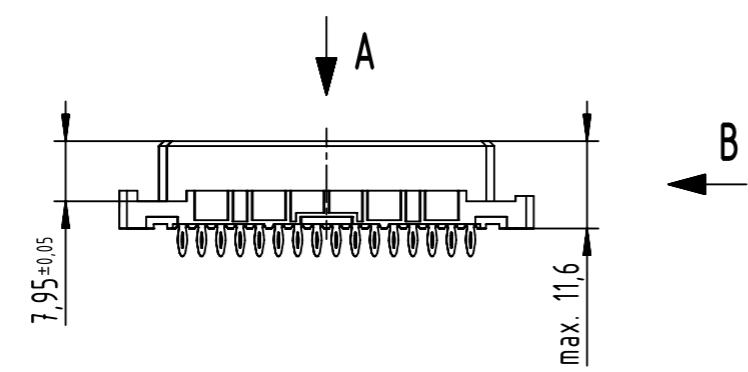


48 press-in contacts  
 ☒ = press-in contact  
 □ = position without contact



1 recommended configuration of plated through holes and further information see product data sheet

09 23 248 5866 015	Au30
09 23 248 5866	NM30 (S4)
09 23 248 6866	2
part no.	performance level

 All rights reserved Department EL PD HARTING D-32339 Espelkamp	All Dimensions in mm Original Size DIN A3	Scale 1:1	Free size tol. IEC 60603-2	Ref. Sub.
	Created by STORCK	Inspected by LEHNERT	Standardisation 302077	Date 2021-07-05
Title DIN Signal type 2C female press-in 3.7 48-pole				Doc-Key / ECM-Nr. 100181948/UGD/063/E 500000198117
Type TB		Number 0923248X866		Rev. E
				Page 1/1