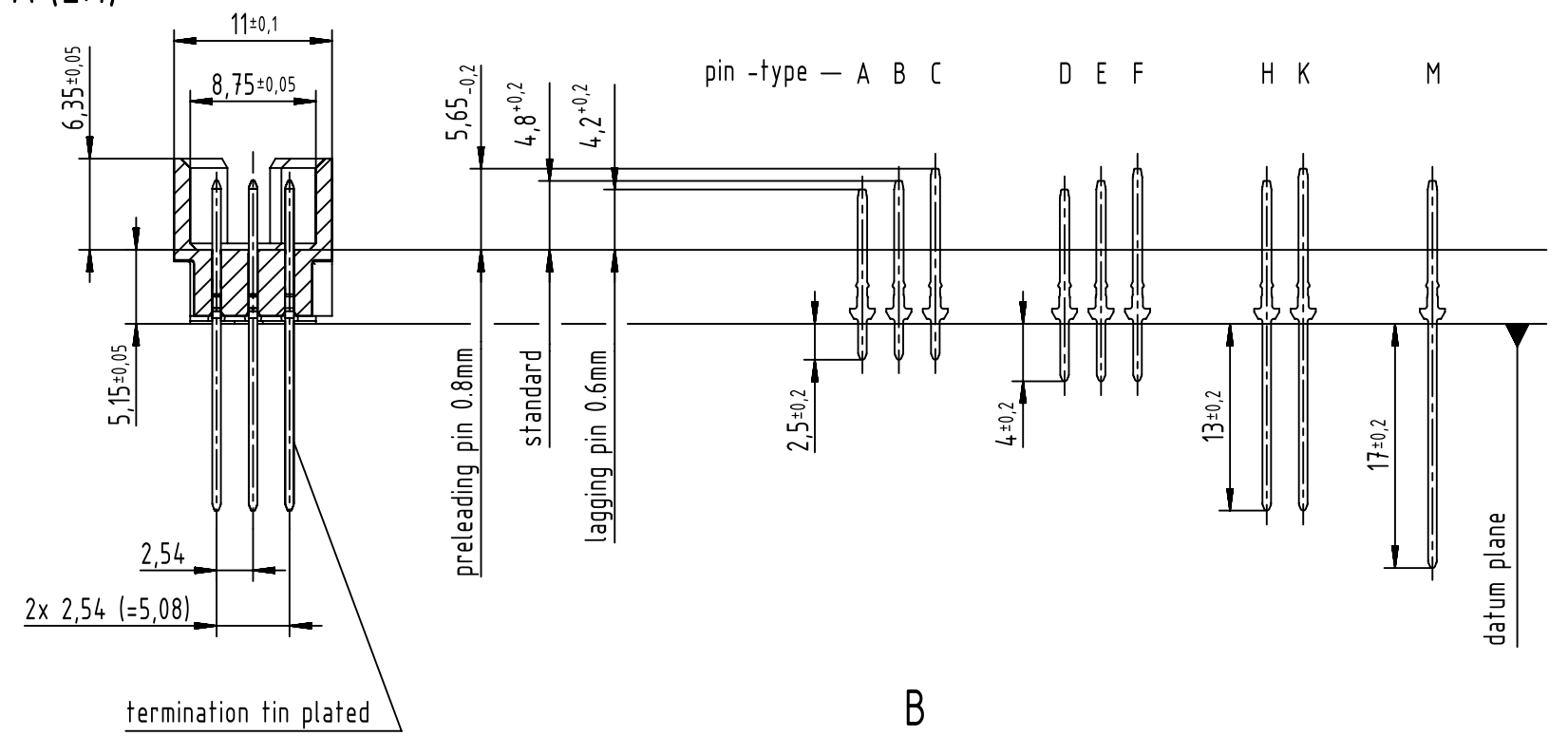
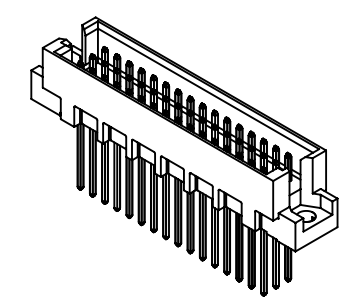
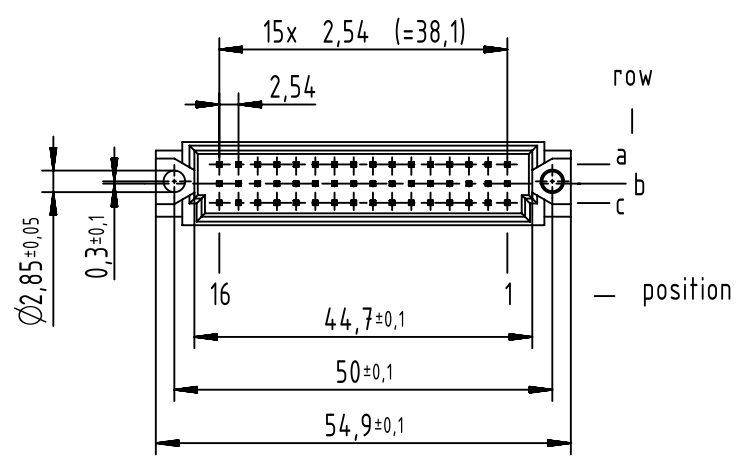
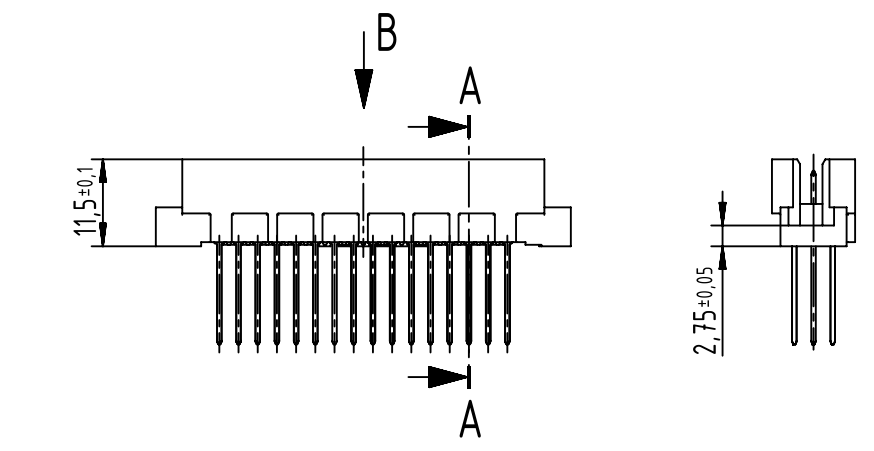
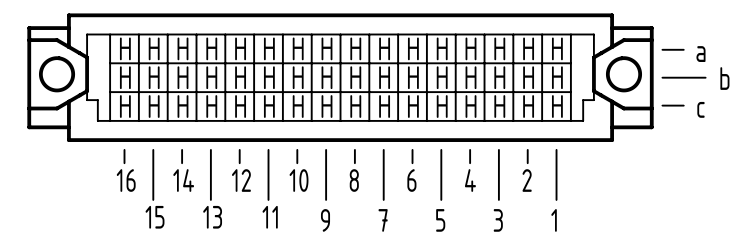


**A-A (2:1)**



**B**  
contact loading



1 further information see: DS 09731100001

09 28 148 6577	2
part no.	performance level 1

<p>All rights reserved</p> <p>Department EL PD</p> <p>HARTING Electronics GmbH</p> <p>D-32339 Espelkamp</p>	<p>All Dimensions in mm</p> <p>Original Size DIN A3</p>	<p>Scale 1:1</p>	<p>Free size tol.</p> <p>IEC 60603-2</p>	<p>Ref.</p> <p>Sub. TB 09 28 148 x577 / Mod. 35540 / 15.07.2009</p>
	<p>Created by LEHNERT</p>	<p>Inspected by DAHMS</p>	<p>Standardisation HOFFMANN</p>	<p>Date 2017-10-26</p>
<p>Title DIN Signal type 2R male solder 13mm 48-pole</p>				<p>Doc-Key / ECM-Nr.</p> <p>100177218/UGD/041/B</p> <p>500000126094</p>
<p>Type TB</p>		<p>Number 0928148X577</p>		<p>Rev. B</p>
				<p>Page 1/1</p>