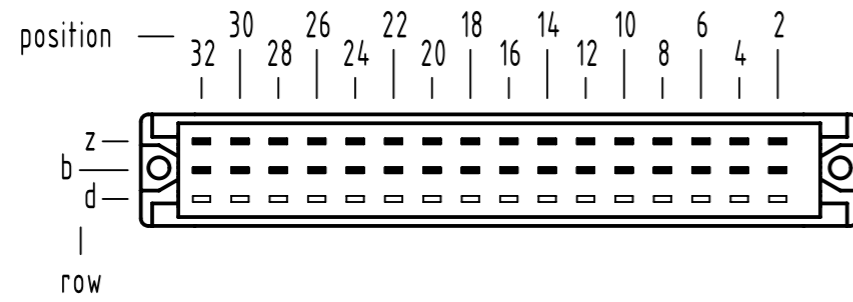


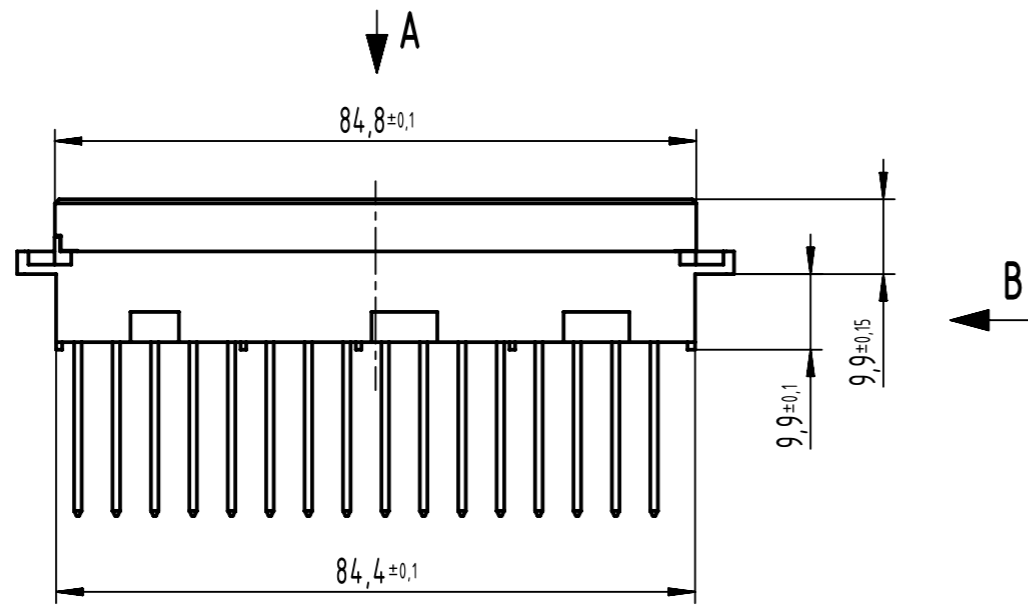
A
contact arrangement



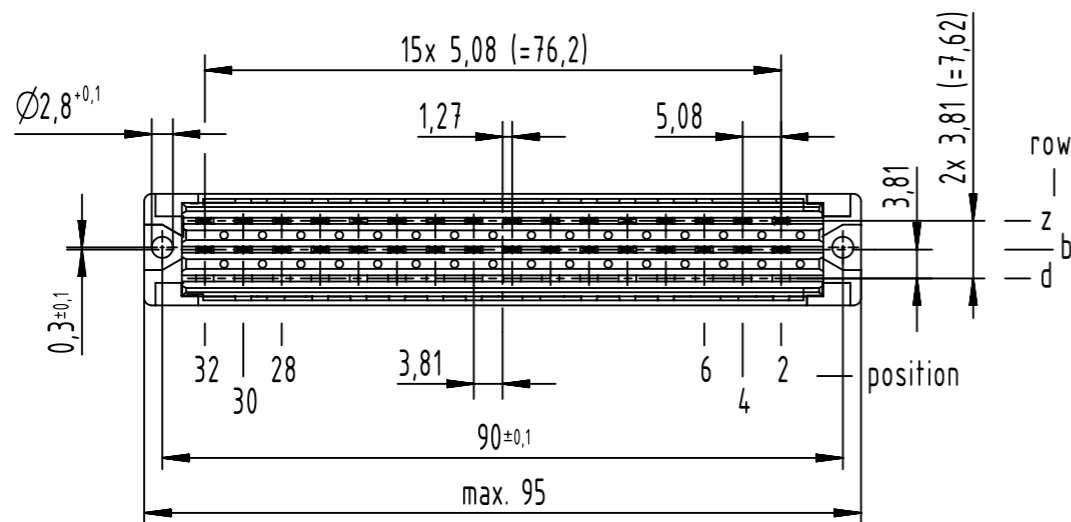
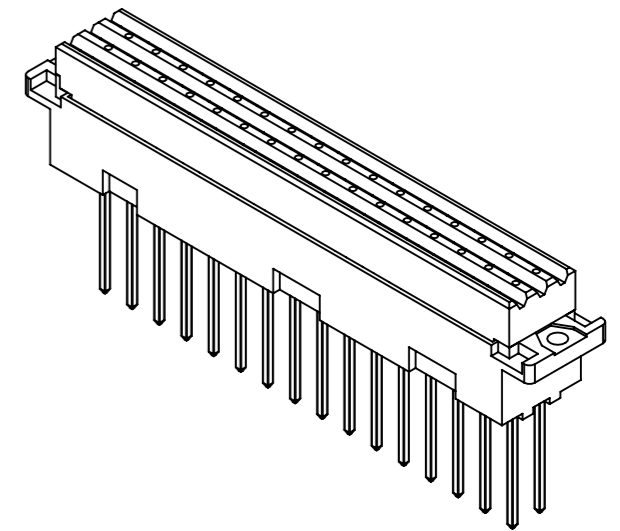
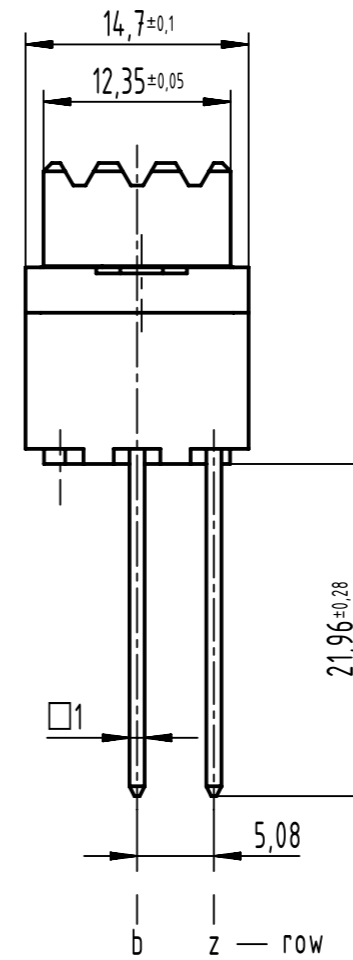
32 ww contacts

■ = position with contact

□ = position without contact



B (2:1)



further information see product data sheet

09 06 232 7821	3
09 06 232 6821	2
09 06 232 2821	1
part no.	performance level

	All Dimensions in mm Original Size DIN A3	Scale 1:1	Free size tol. IEC 60603-2	Ref. Sub.
	All rights reserved Department EL PD	Created by LEHNERT	Inspected by LEHNERT	Standardisation 302077
HARTING D-32339 Espelkamp	Title DIN Power type F female ww straight 22.0 32-pole			Date 2021-05-18
Type TB		Number 0906232X821		State Final Release
				Doc-Key / ECM-Nr. 100184594/UGD/011/D 500000194571
				Rev. D Page 1/1