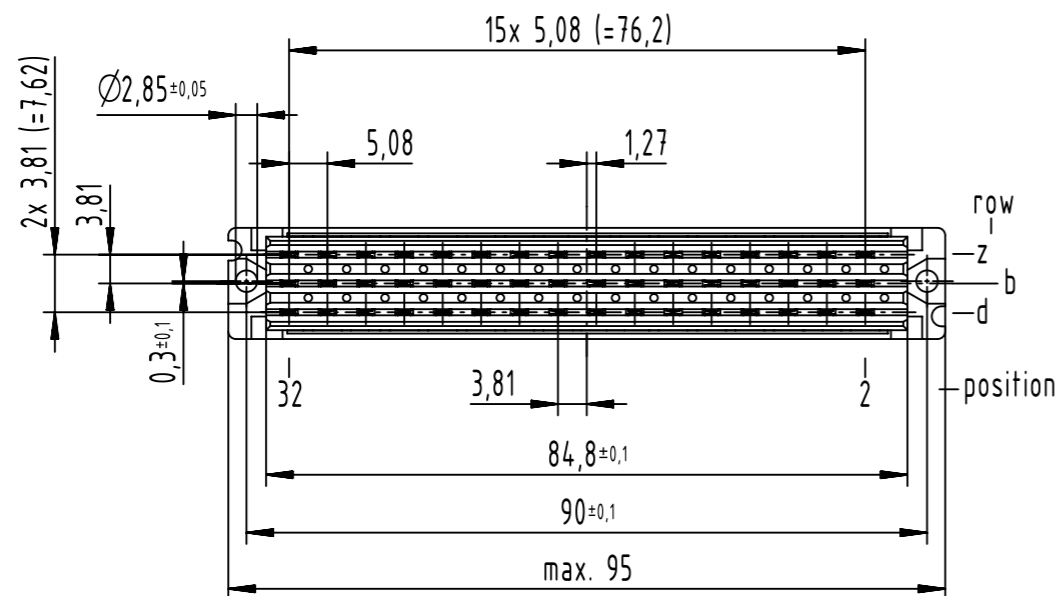
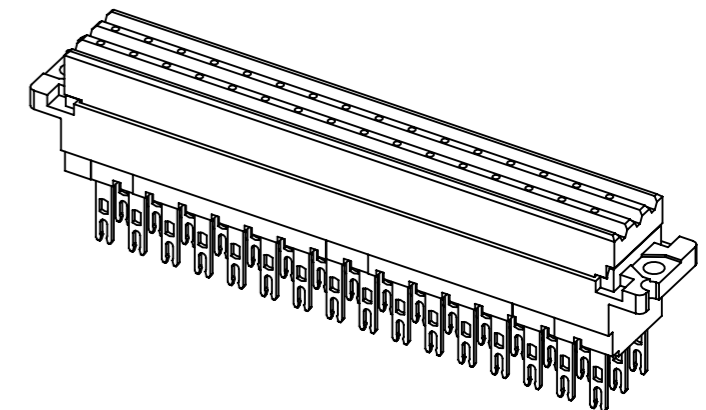
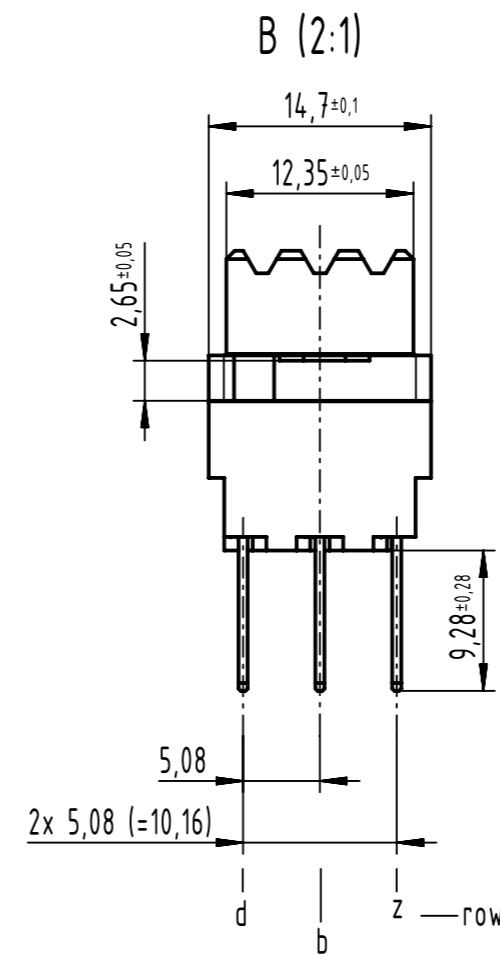
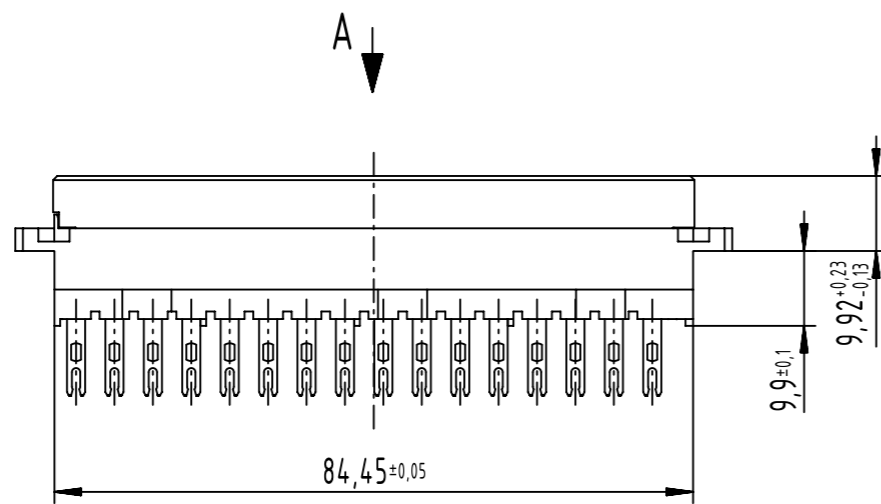


48 solder eye - contacts

■ = position with contact

□ = position without contact



further information see product data sheet

09 06 248 7823	3
09 06 248 6823	2
09 06 248 2823	1
part no.	performance level

	All Dimensions in mm Original Size DIN A3		Scale 1:1	Free size tol. IEC 60603-2		Ref.	
	All rights reserved Department EL PD		Created by LEHNERT	Inspected by STORCK	Standardisation	Date 2023-06-23	State Final Release
HARTING D-32339 Espelkamp		Title DIN Power type F female connector solder type B 48-pole				Doc-Key / ECM-Nr. 100102866/UGD/031/D 50000247684	
		Type TB	Number 0906248X823			Rev. D	Page 1/1