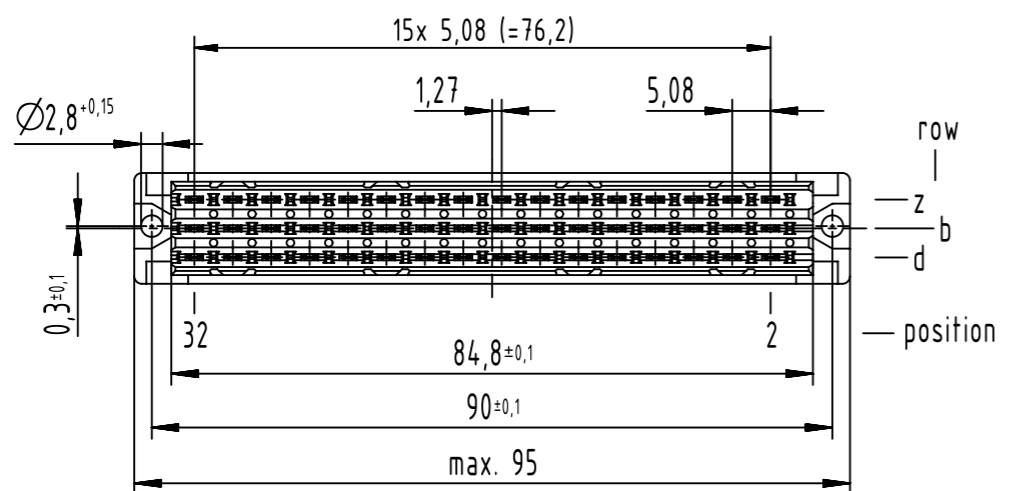
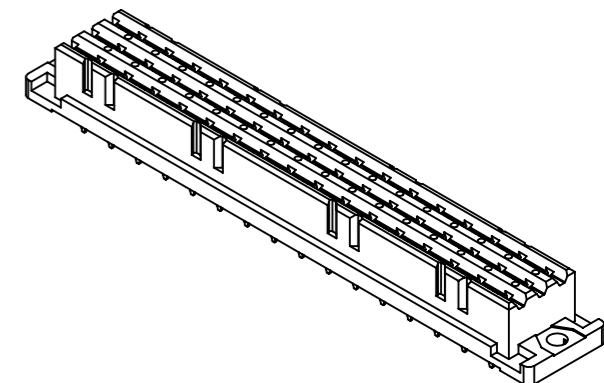
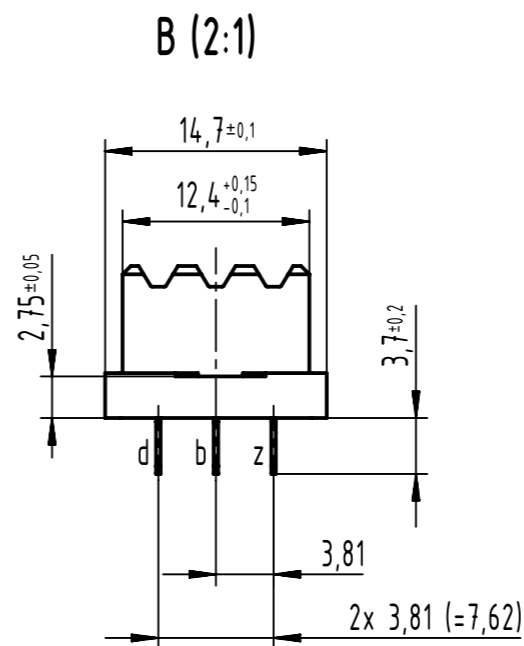
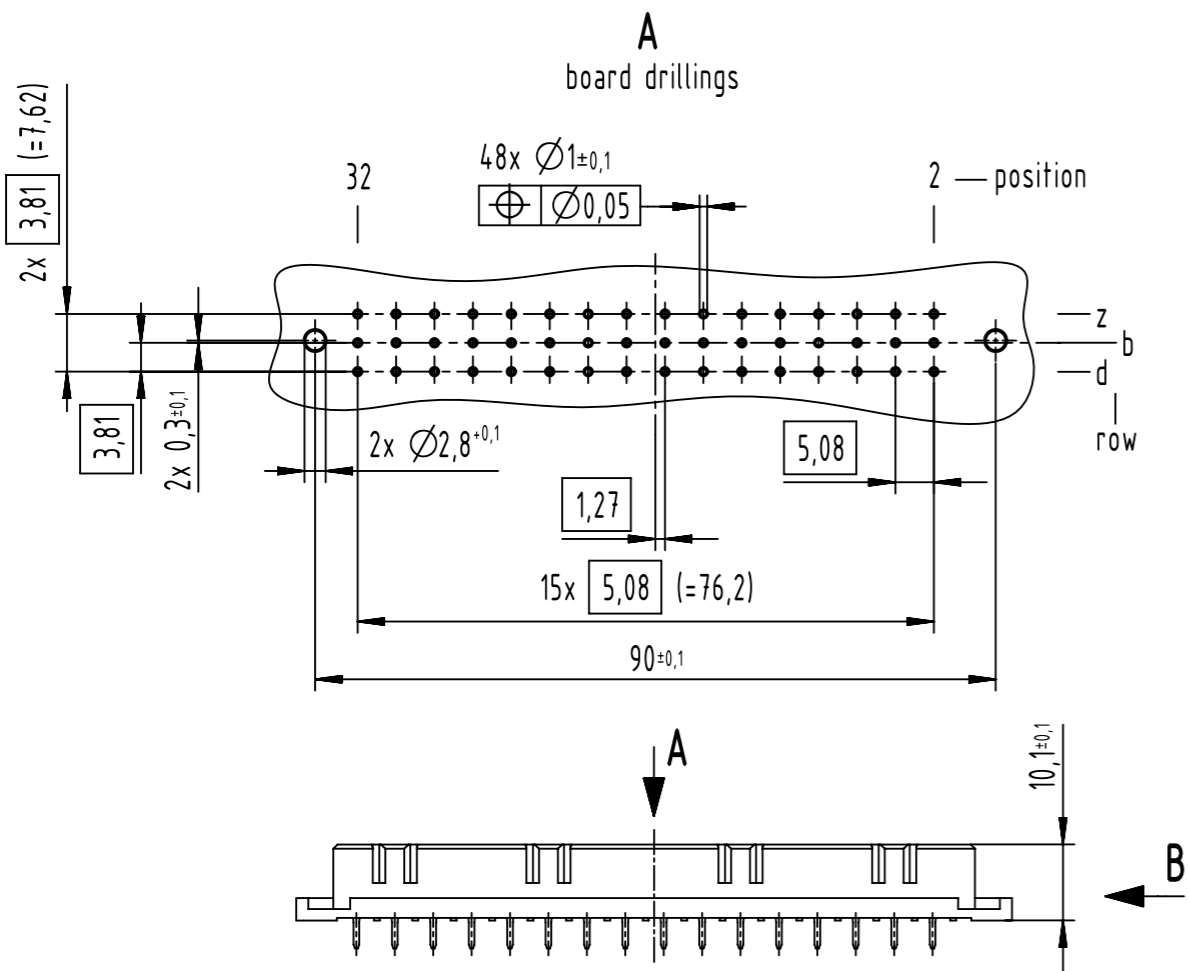


48 solder-contacts

☒ = position with contact

□ = position without contact



09 06 248 6833 222	2
09 06 248 2833 222	1
part no.	performance level

further information see product data sheet

	All Dimensions in mm Original Size DIN A3	Scale 1:1	Free size tol. complementary IEC 60603-2	Ref.
	All rights reserved Department EL PD	Created by STORCK	Inspected by LEHNERT	Standardisation 302077
HARTING D-32339 Espelkamp	Title DIN Power type F low-profile fem solder 3.7 NFF 48-pole			Date 2021-05-06
Type TB		Number 0906248X833222		State Final Release
				Doc-Key / ECM-Nr. 100205271/UGD/022/C 500000194417
				Rev. C
				Page 1/1