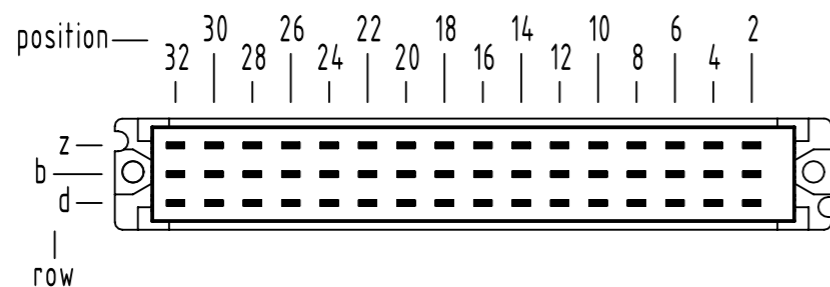


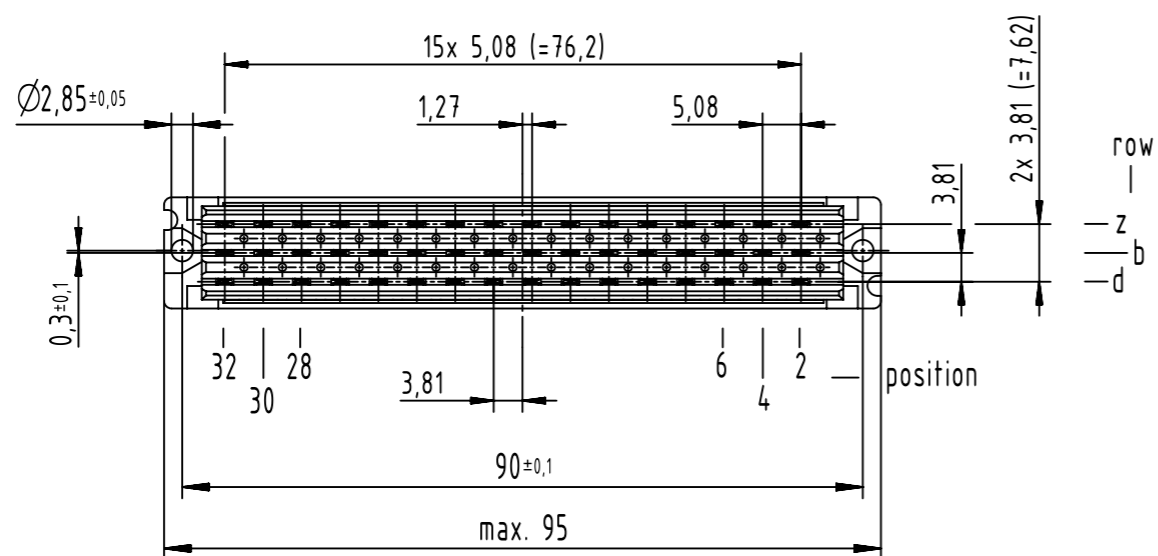
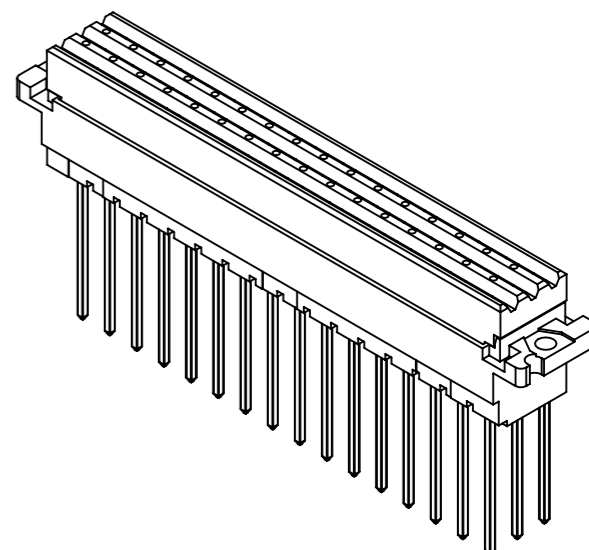
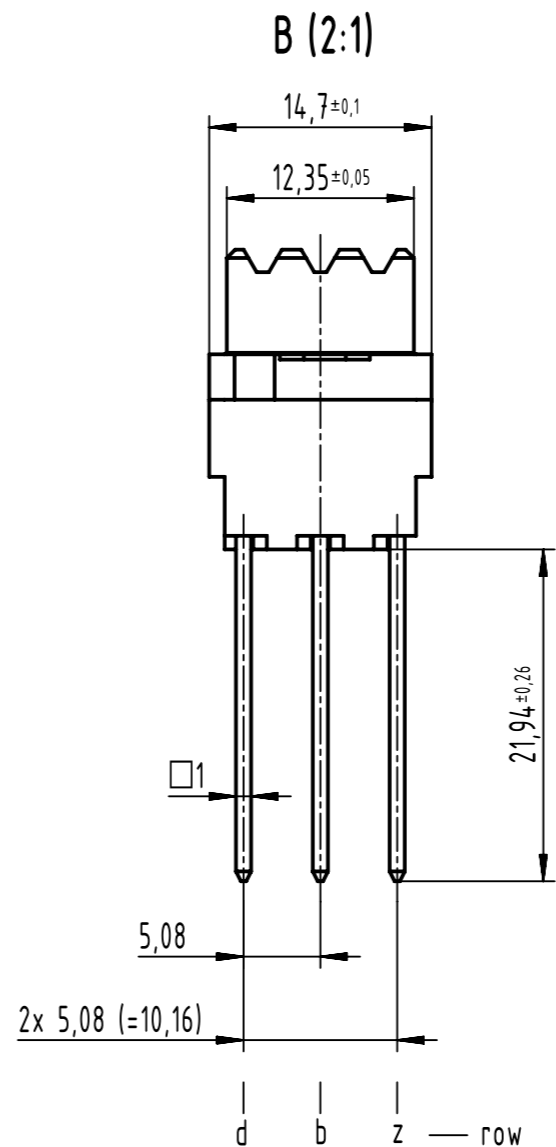
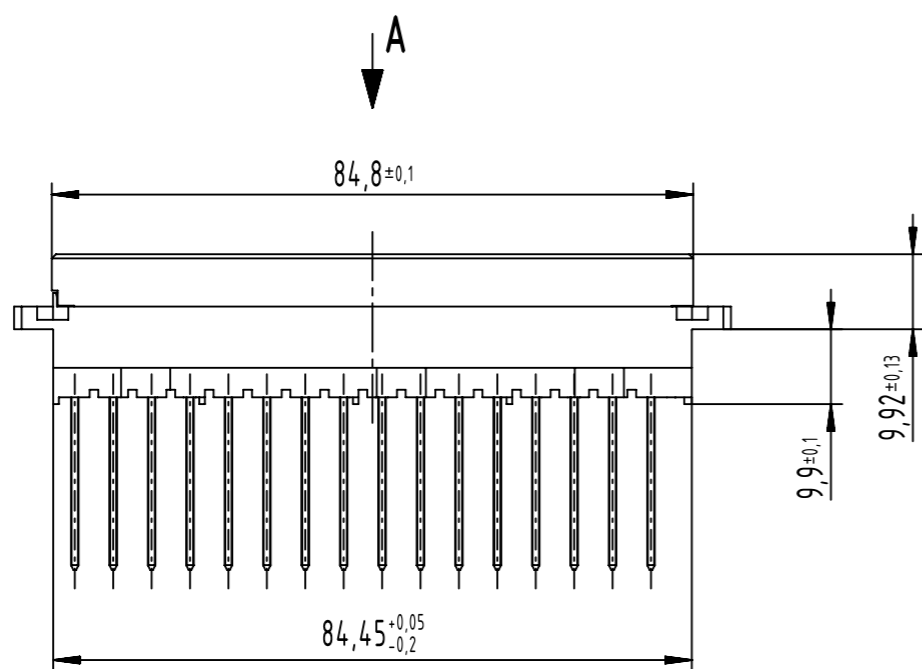
**A**  
contact arrangement

48 ww - contacts



■ = position with contact

□ = position without contact



further information see product data sheet

09 06 248 3821	Au90
09 06 248 2821 015	Au1
09 06 248 7821	3
09 06 248 6821	2
09 06 248 2821	1
part no.	performance level

All rights reserved Department EL PD		All Dimensions in mm Original Size DIN A3	Scale 1:1	Free size tol. IEC 60603-2	Ref. Sub.
HARTING D-32339 Espelkamp	Created by LEHNERT	Inspected by STORCK	Standardisation	Date 2023-06-23	State Final Release
Title DIN Power type F female ww straight 22.0 48-pole					Doc-Key / ECM-Nr. 100184594/UGD/019/E 50000247684
Type TB		Number 0906248X821		Rev. E	Page 1/1