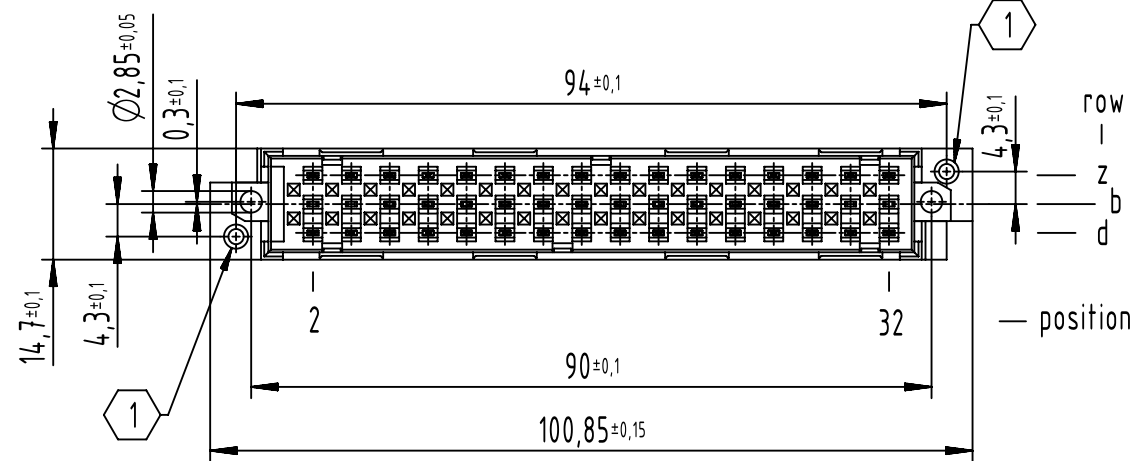
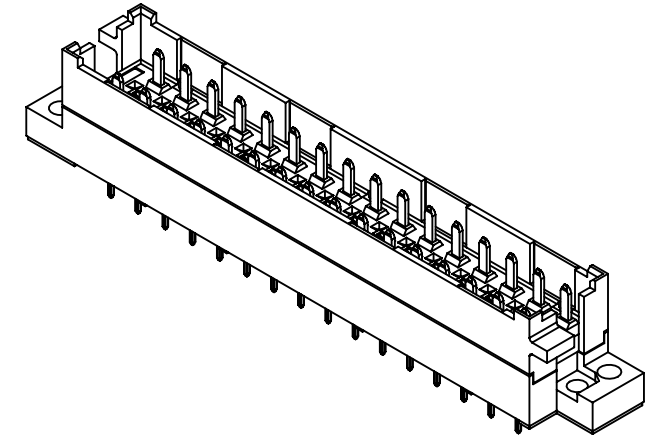
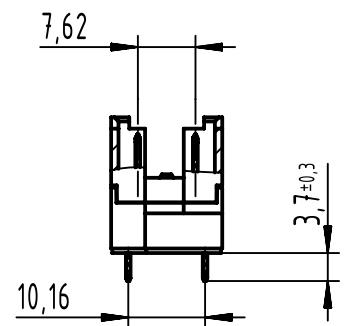
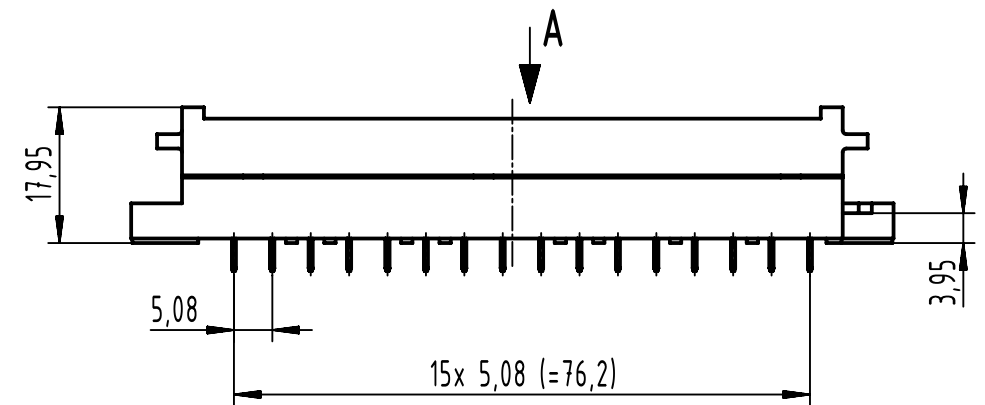
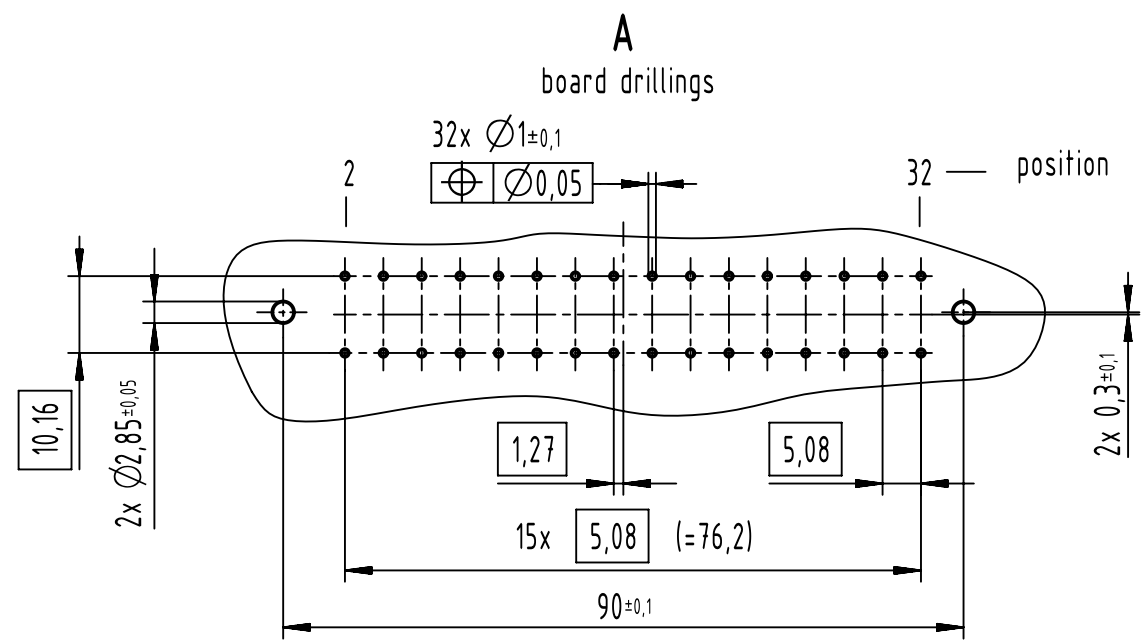


32 solder-contacts

☒ = position with contact

□ = position without contact



① press-in nut M2,5 is mounted
cheese-head screw M2,5x22 is supplied unpackaged
further information see product data sheet

09 06 032 2941	1
part no.	performance level

All rights reserved Department EL PD HARTING D-32339 Espelkamp	All Dimensions in mm Original Size DIN A3	Scale 1:1	Free size tol. IEC 60603-2	Ref. Sub. TB 09 06 032 x941 / Mod. 29351 / 03.06.2003
	Created by STORCK	Inspected by LEHNERT	Standardisation 302077	Date 2021-05-04
Title DIN Power type F interface connector I solder 32-pole				Doc-Key / ECM-Nr. 100215047/UGD/012/B 500000192971
Type TB		Number 0906032X941		Rev. B
				Page 1/1