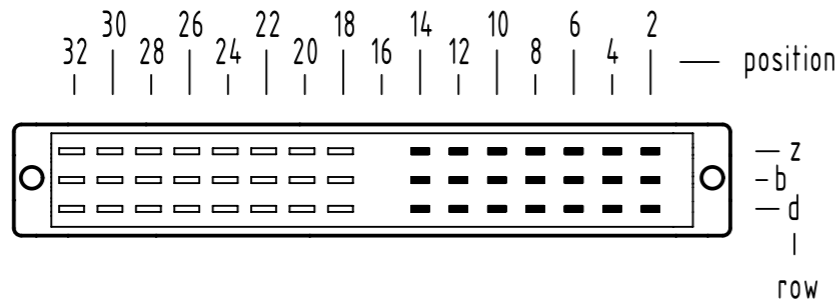


A
contact arrangement

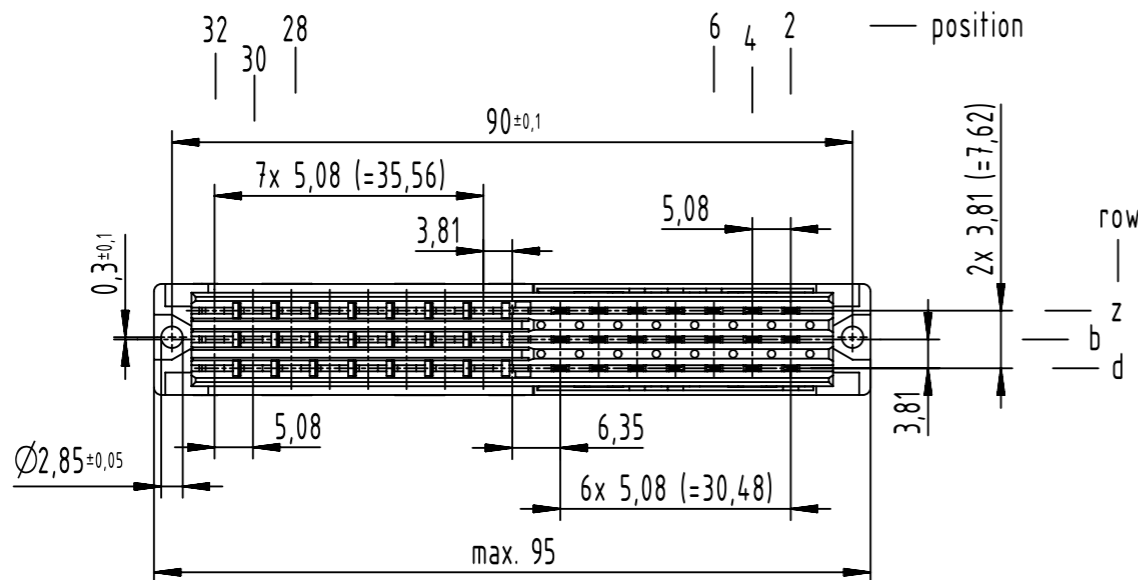
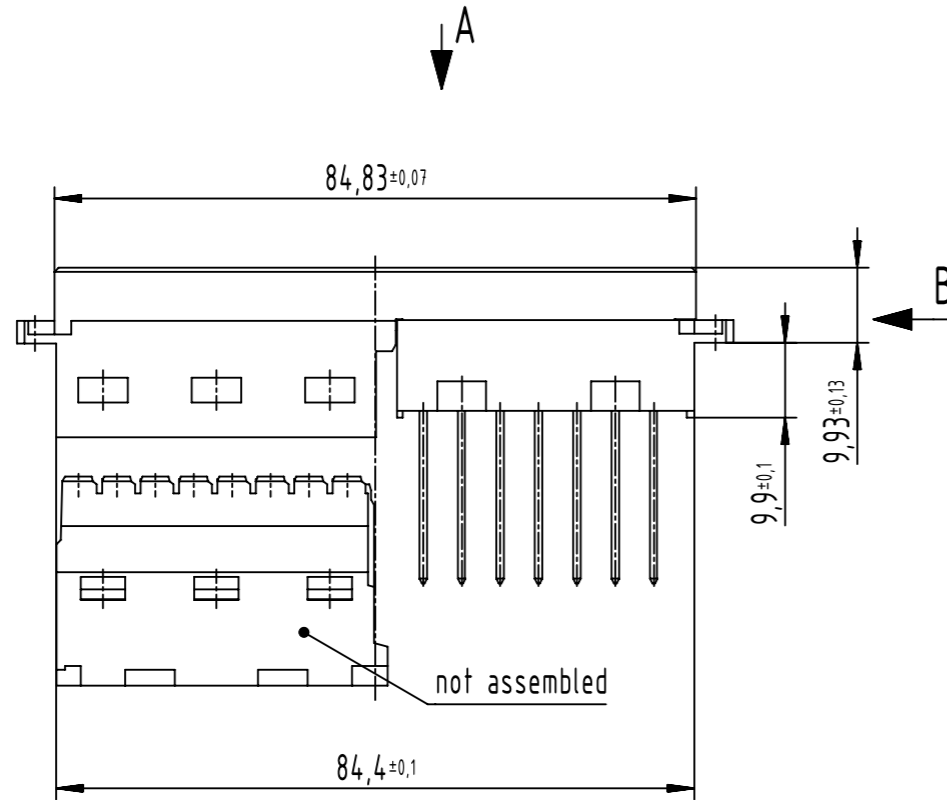
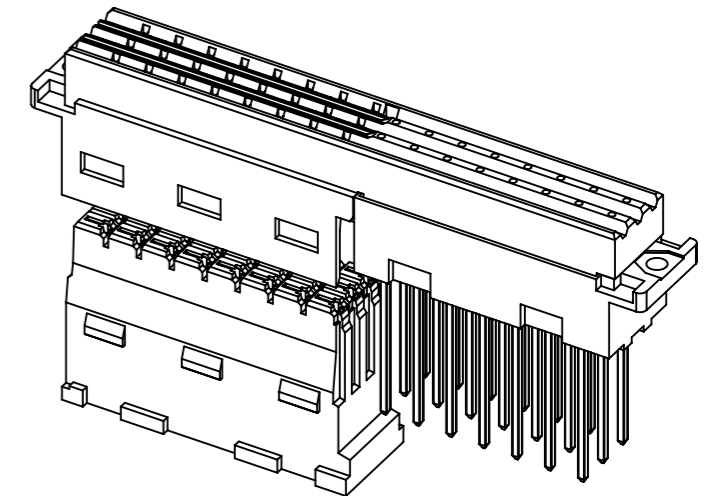
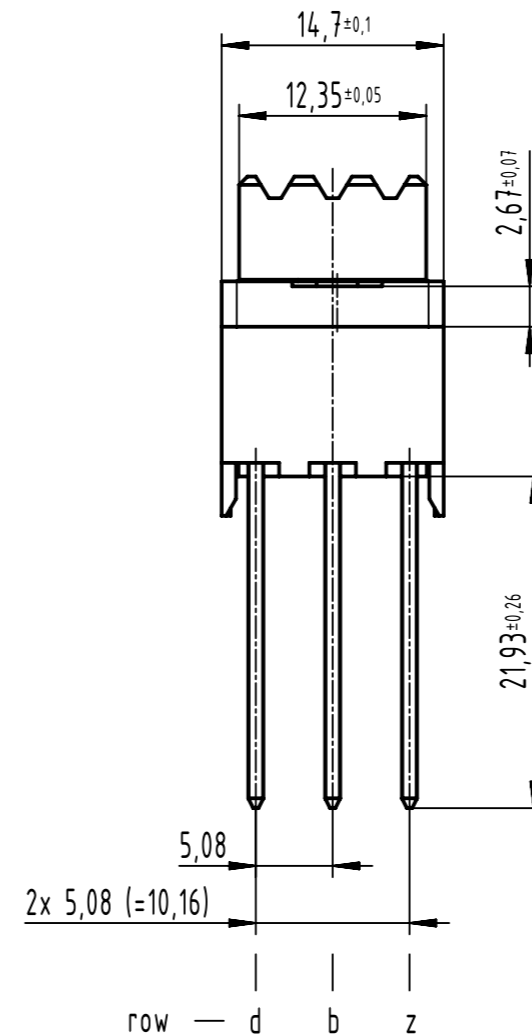


21 wire wrap - contacts

■ = position with contact

□ = position without contact

B (2:1)



further information see product data sheet

09 06 045 2871	1
part no.	performance level

	All Dimensions in mm Original Size DIN A3	Scale 1:1	Free size tol. IEC 60603-2	Ref. Sub.
	All rights reserved Department EL PD	Created by LEHNERT	Inspected by LEHNERT	Standardisation 302077
HARTING D-32339 Espelkamp	Title DIN Power type FM female connector WW-crimp			Date 2021-05-18
	Type TB	Number 0906045X871	State Final Release	Doc-Key / ECM-Nr. 100083224/UGD/005/C 500000194571
			Rev. C	Page 1/1