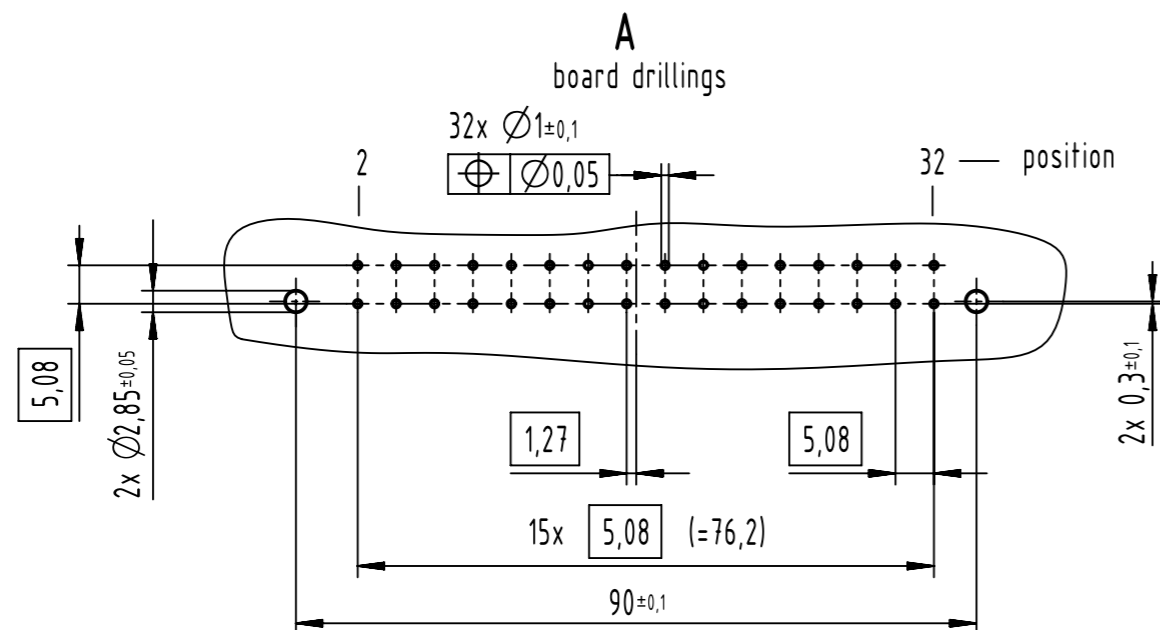


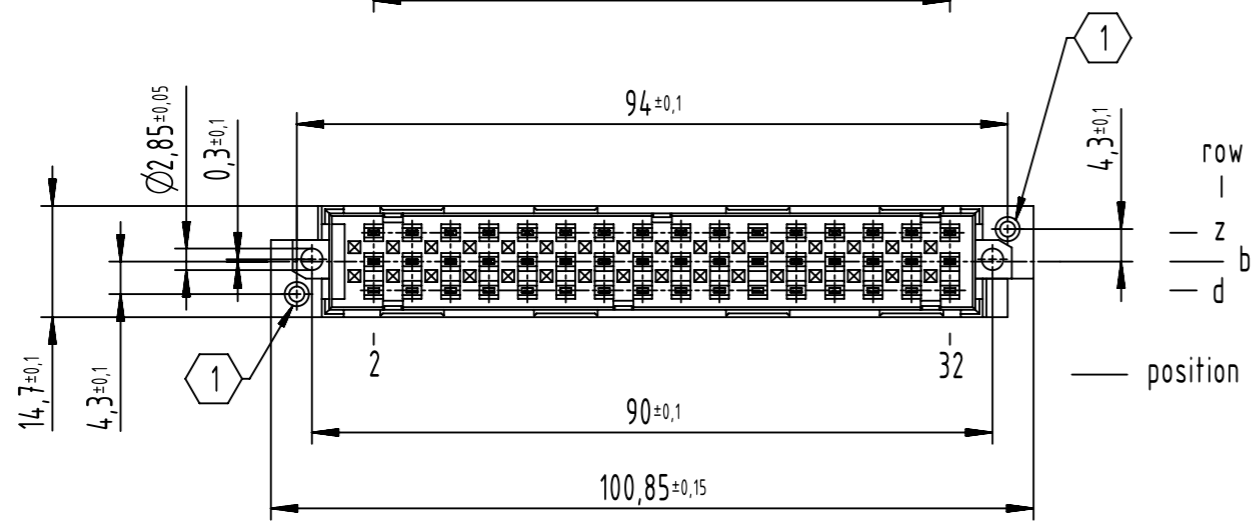
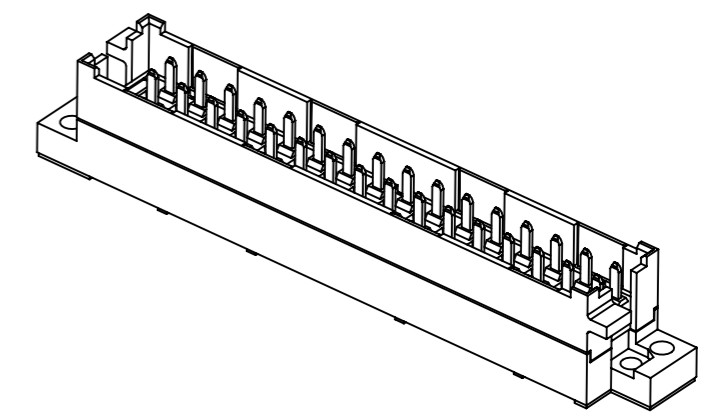
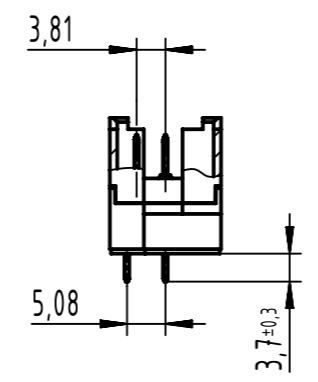
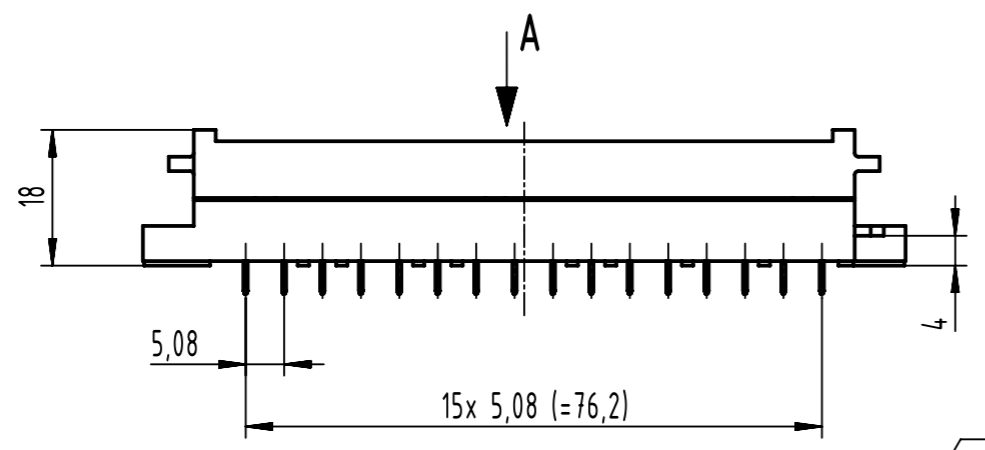
32 solder-contacts

☒ = position with contact

□ = position without contact



z
b
row



row
z
b
d
position

1 press-in nut M2,5 is mounted
cheese-head screw M2,5x22 is supplied unpackaged
further information see product data sheet

09 06 032 2905	1
part no.	performance level

All rights reserved Department EL PD HARTING D-32339 Espelkamp	All Dimensions in mm Original Size DIN A3	Scale 1:1 Free size tol. IEC 60603-2	Ref. Sub. TB 09 06 032 x905 / Mod. 29351 / 12.06.2003	Created by STORCK	Inspected by LEHNERT	Standardisation 302077	Date 2021-05-04	State Final Release
	Title DIN Power type F interface connector I solder 32-pole	Type TB	Number 0906032X905	Doc-Key / ECM-Nr. 100215047/UGD/010/B 500000192971	Rev. B	Page 1/1		