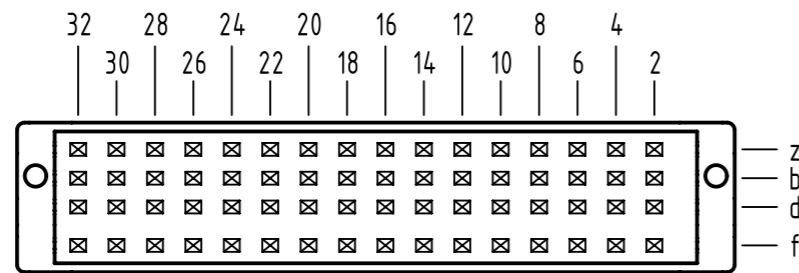


A
contact arrangement

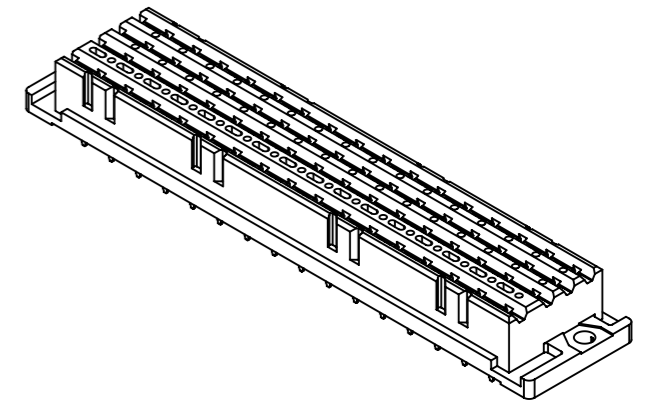
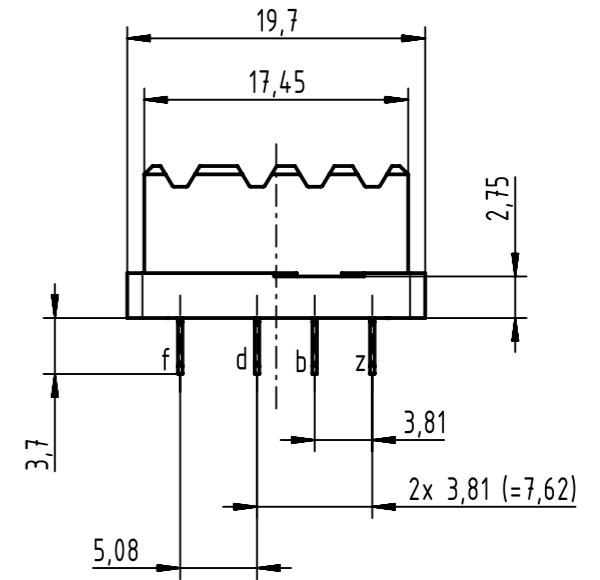


64 solder contacts

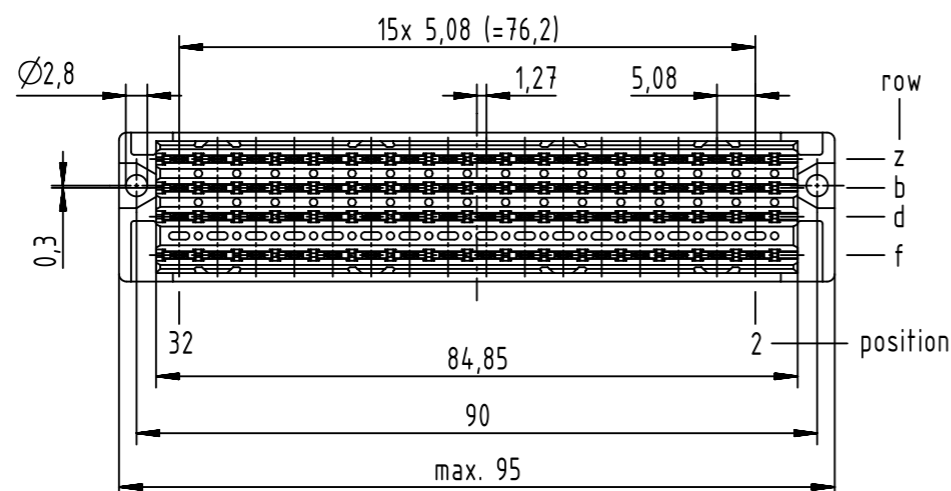
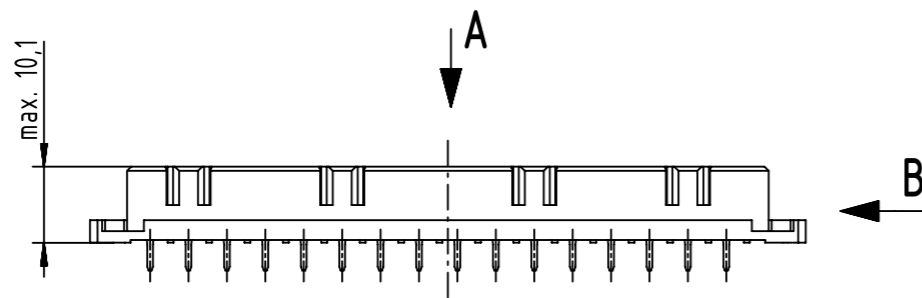
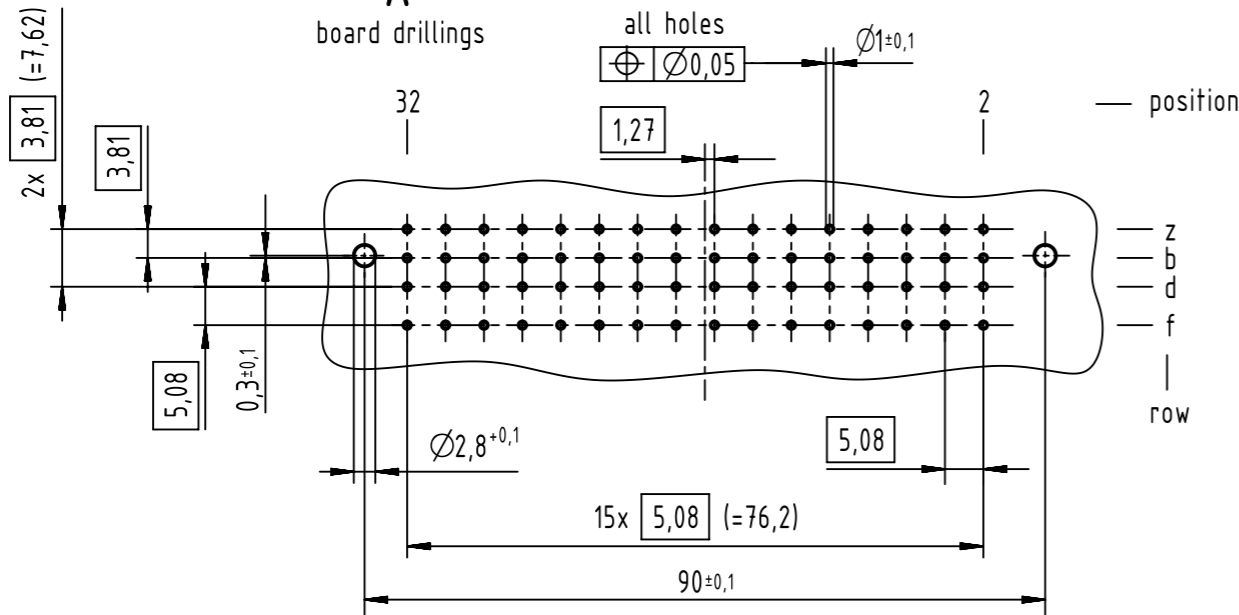
⊗ = position with contact

□ = position without contact

B (2:1)



A
board drillings



① further information see: DS 09062100006

09 06 264 6833	2
09 06 264 2833	1
part no.	performance level ①

	All Dimensions in mm Original Size DIN A3	Scale 1:1	Free size tol. complementary IEC 60603-2	Ref.
	All rights reserved Department EL PD	Created by STORCK	Inspected by TADJE	Standardisation HOFFMANN
HARTING Electronics GmbH D-32339 Espelkamp	Title DIN Power type G low-profile female solder 3.7 64-pole			Date 2020-03-12
	Type TB	Number 0906264X833	State Final Release	Doc-Key / ECM-Nr. 100103475/UGD/014/A 500000164769
			Rev. A	Page 1/1