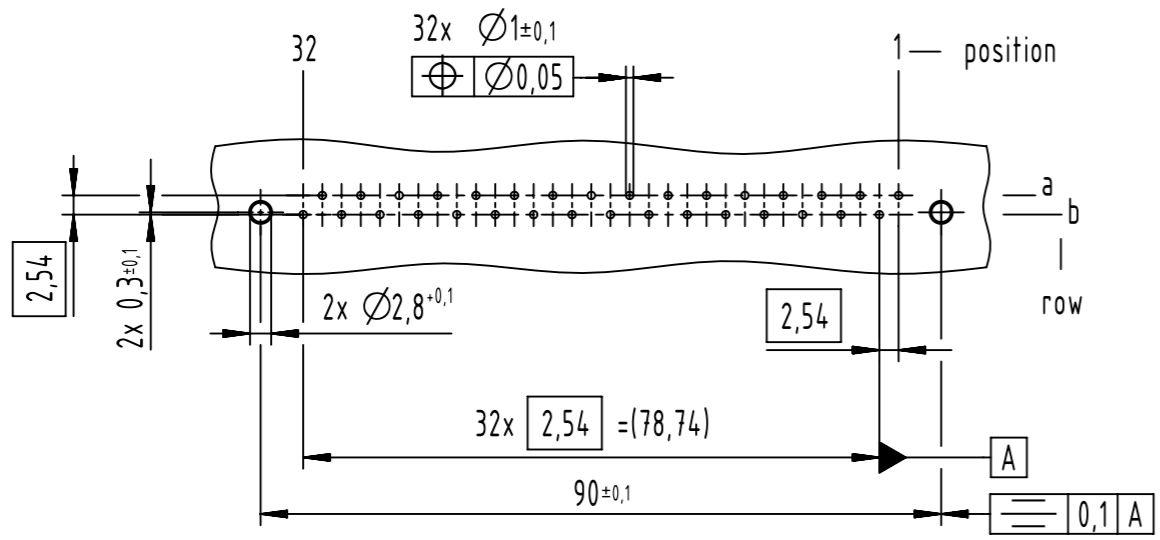


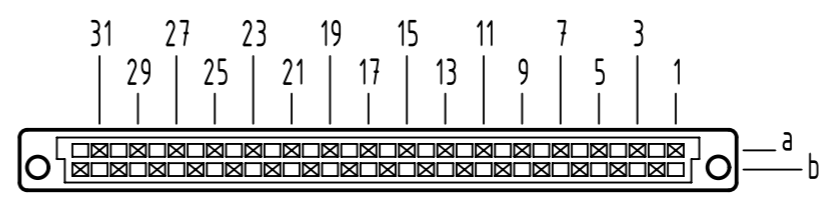
1 2 3 4 5 6 7 8

A  
B  
C  
D  
E  
F

**A**  
board drillings



**A**  
contact arrangement

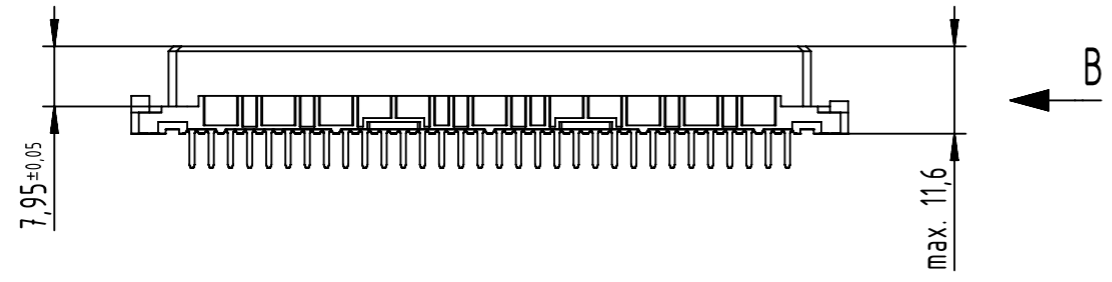


32 solder contacts

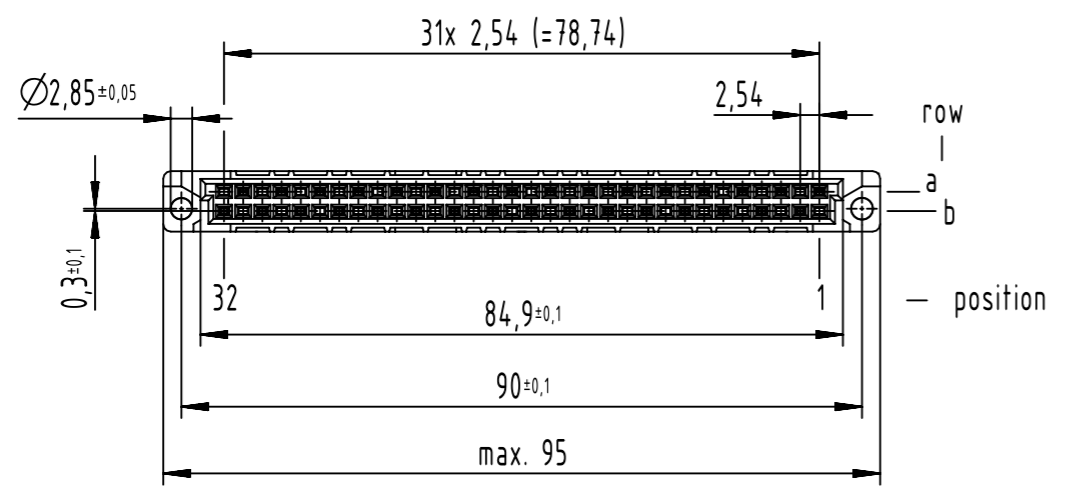
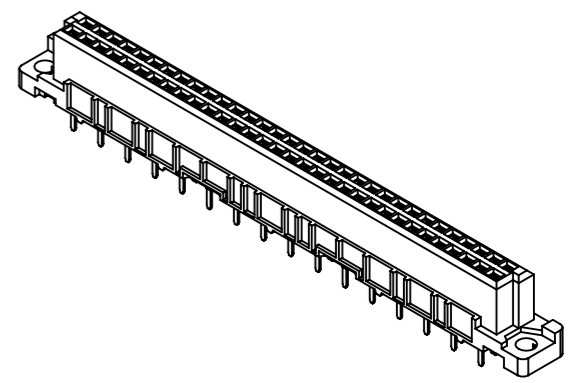
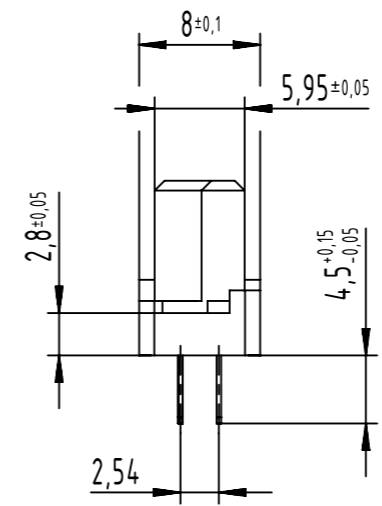
☒ = position with contact

□ = position without contact

**A**



**B (2:1)**



further information see product data sheet

09 02 232 6895	2
part no.	performance level

All rights reserved Department EL PD HARTING D-32339 Espelkamp	All Dimensions in mm Original Size DIN A3	Scale 1:1	Free size tol. IEC 60603-2	Ref. Sub.
	Created by 00103855	Inspected by STORCK	Standardisation	Date 2023-01-16
Title DIN Signal type B female solder 4.5 32-pole				Doc-Key / ECM-Nr. 100179617/UGD/018/D 500000222564
Type TB		Number 0902232X895		Rev. D
				Page 1/1

1 2 3 4 5 6 7 8