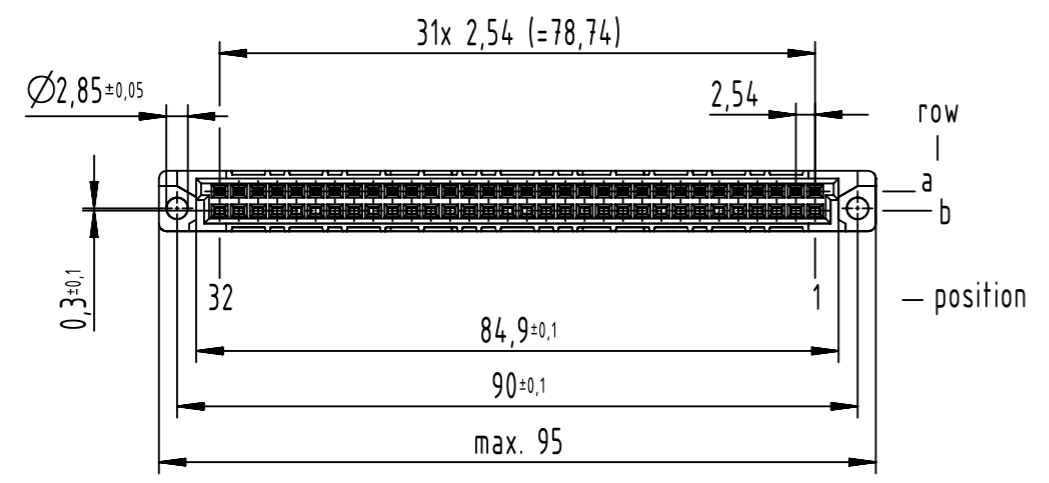
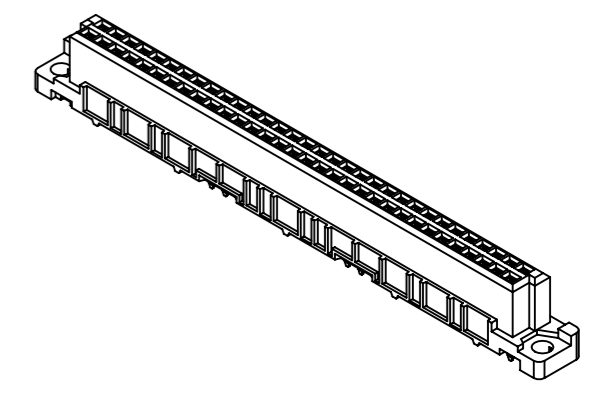
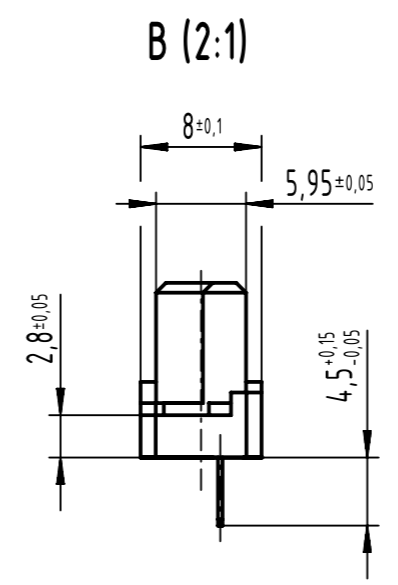
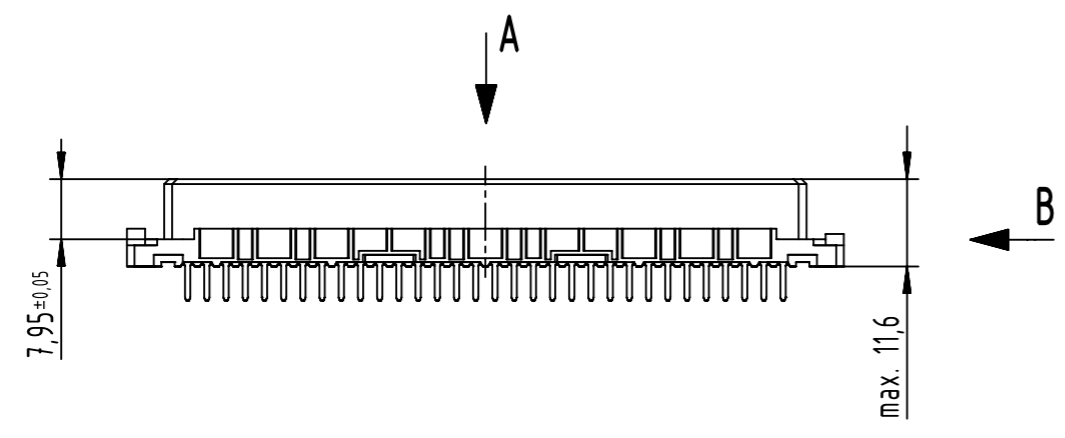


32 solder contacts
 ☒ = position with contact
 □ = position without contact



further information see product data sheet

09 02 232 6835	2
part no.	performance level

	All Dimensions in mm Original Size DIN A3	Scale 1:1	Free size tol. IEC 60603-2	Ref. Sub.
	All rights reserved Department EL PD	Created by 00103855	Inspected by STORCK	Standardisation
HARTING D-32339 Espelkamp	Title DIN Signal type B female solder 4.5 32-pole			Doc-Key / ECM-Nr. 100179617/UGD/014/D 50000222564
	Type TB	Number 0902232X835	Date 2023-01-16	State Final Release
				Rev. D Page 1/1