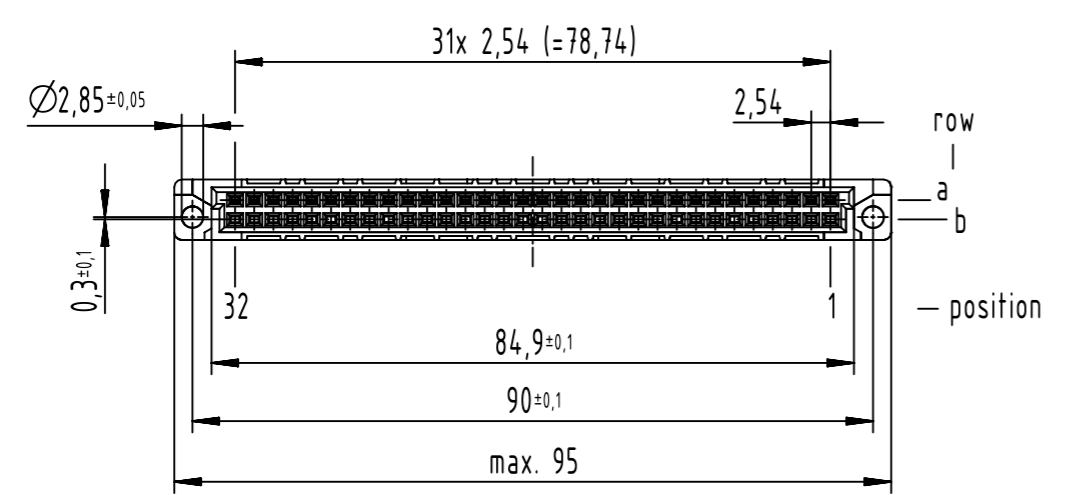
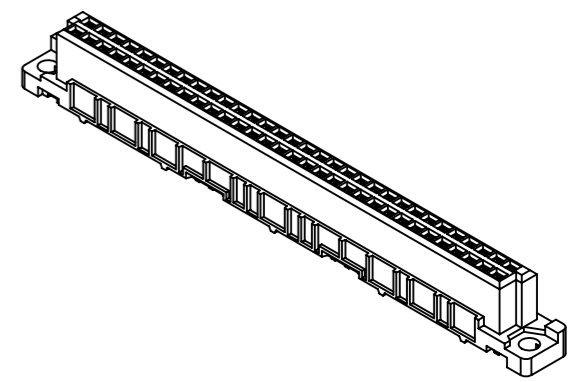
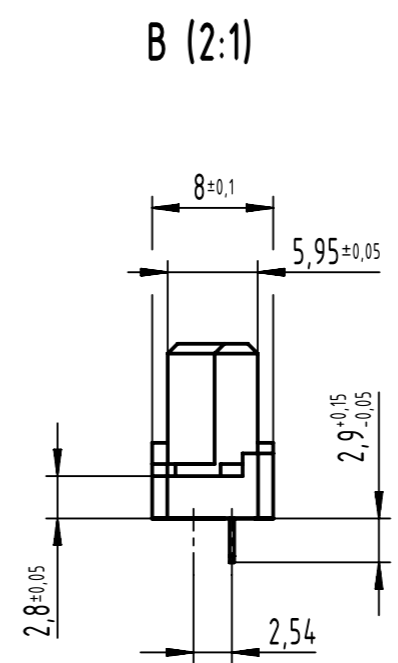
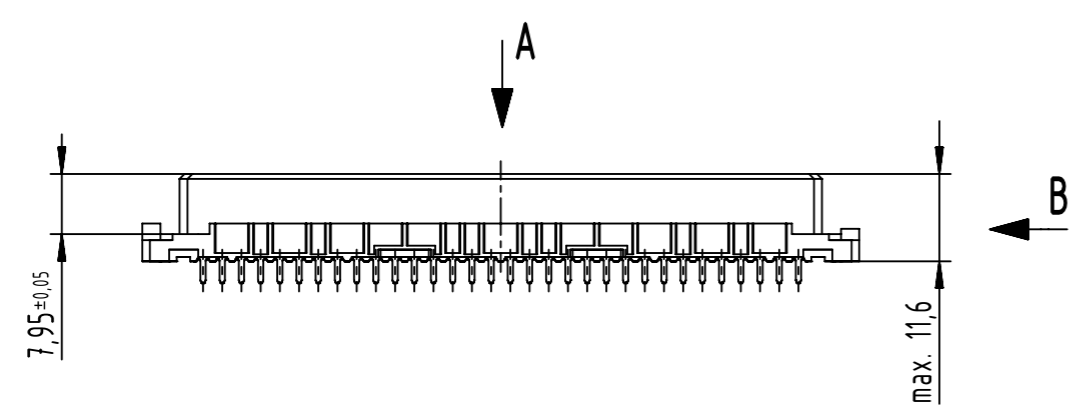


32 solder contacts
 ☒ = position with contact
 □ = position without contact



further information see product data sheet

09 02 232 6834	2
part no.	performance level

All rights reserved Department EL PD HARTING D-32339 Espelkamp	All Dimensions in mm Original Size DIN A3	Scale 1:1	Free size tol. IEC 60603-2	Ref. Sub.	Date 2022-12-19	State Final Release	Doc-Key / ECM-Nr. 100179617/UGD/060/B 500000219640	
	Created by 00103855	Inspected by STORCK	Standardisation	Title DIN Signal type B female solder 2.9 32-pole		Type TB	Number 0902232X834	Rev. B