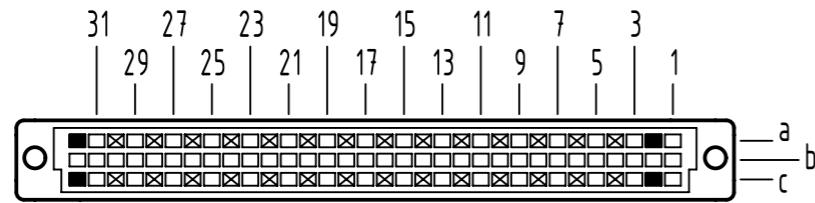


**A**  
contact arrangement



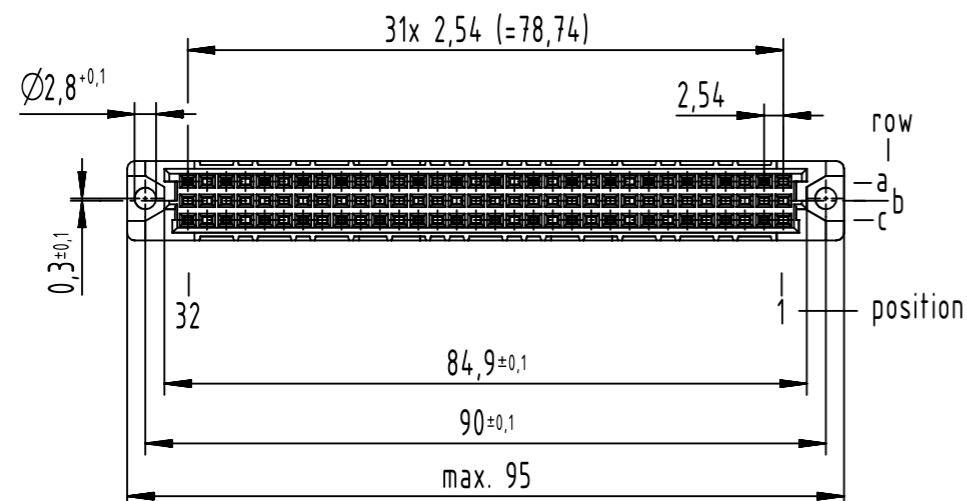
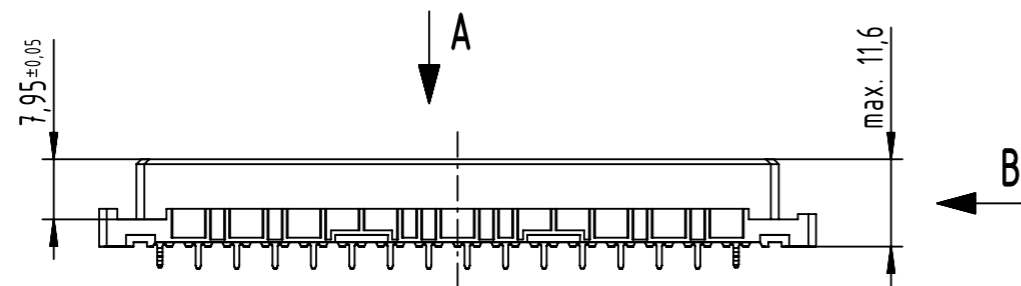
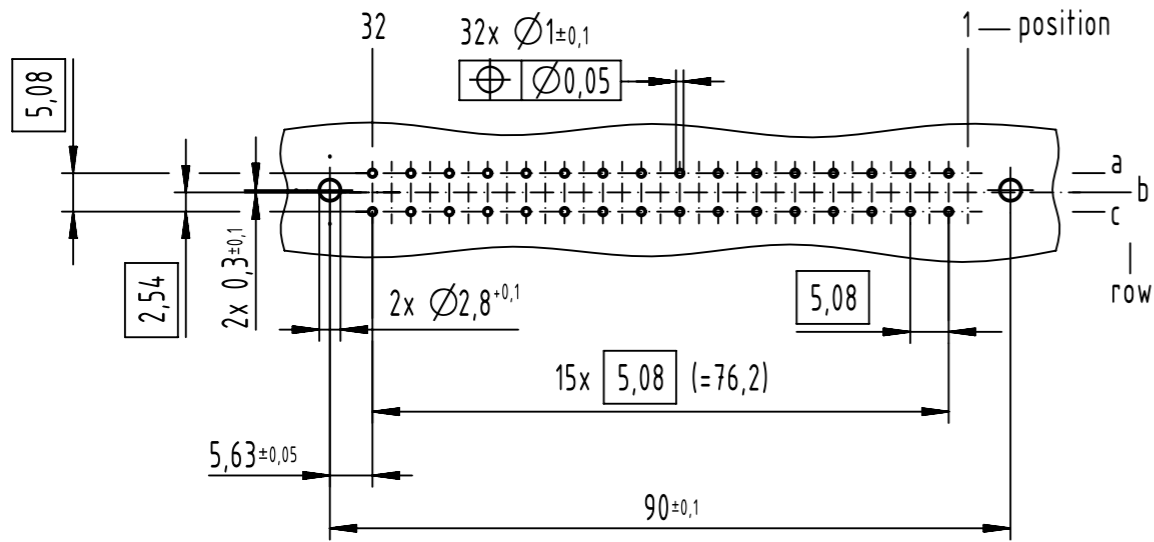
28 solder contacts  
4 kinked solder contacts

⊗ = solder contact

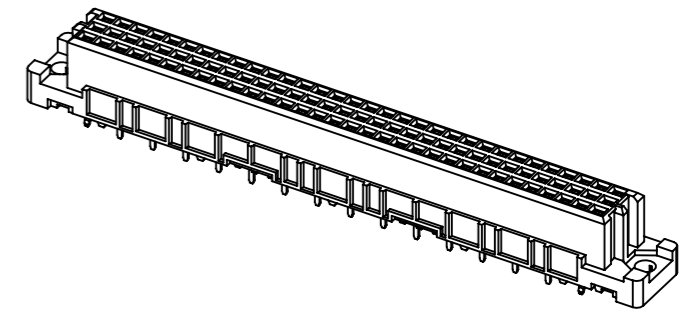
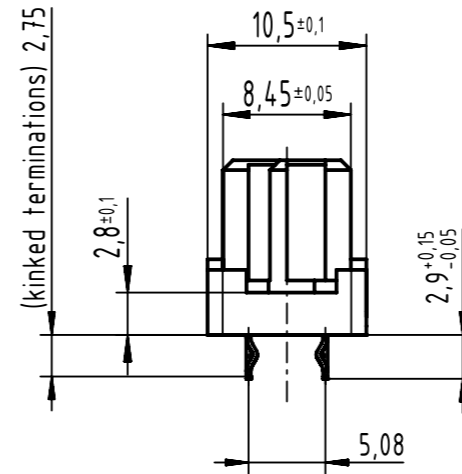
■ = kinked solder contact

□ = position without contact

**A**  
board drillings



**B (2:1)**



09 03 232 7855	3
09 03 232 6855	2
<b>part no.</b>	<b>performance level</b>

further information see product data sheet

	All Dimensions in mm Original Size DIN A3	Scale 1:1	Free size tol. IEC 60603-2	Ref.	
	All rights reserved Department EL PD	Created by STORCK	Inspected by LEHNERT	Standardisation 302077	Date 2021-03-18
HARTING D-32339 Espelkamp	Title DIN Signal type C female solder kinked 2.9 32-pole			Doc-Key / ECM-Nr. 100173852/UGD/039/C 500000190255	
	Type TB	Number 0903232X855		Rev. C	Page 1/1