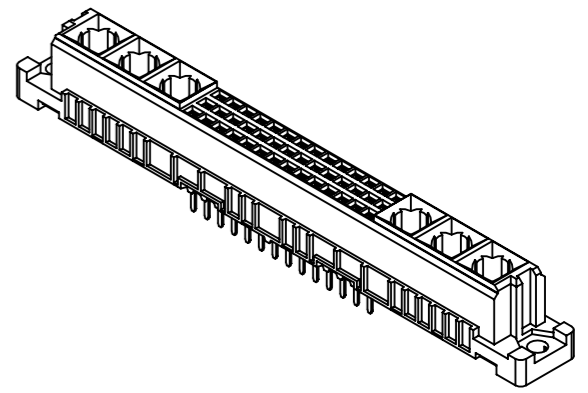


A
board drillings

A
contact arrangement

42 solder contacts
 ☒ = solder contact
 □ = position without contact

B (2:1)



09 03 242 6805	2
09 03 242 2805	1
part no.	performance level

further information see product data sheet

HARTING D-32339 Espelkamp	All rights reserved Department EL PD	All Dimensions in mm Original Size DIN A3	Scale 1:1 Free size tol. IEC 60603-2	Ref. Sub.	Date 2021-09-23	State Final Release	Doc-Key / ECM-Nr. 100072218/UGD/040/E 50000202700
		Title DIN Signal type M42+6 female solder 4.5 42-pole	Type TB	Number 0903242X805	Rev. E	Page 1/1	