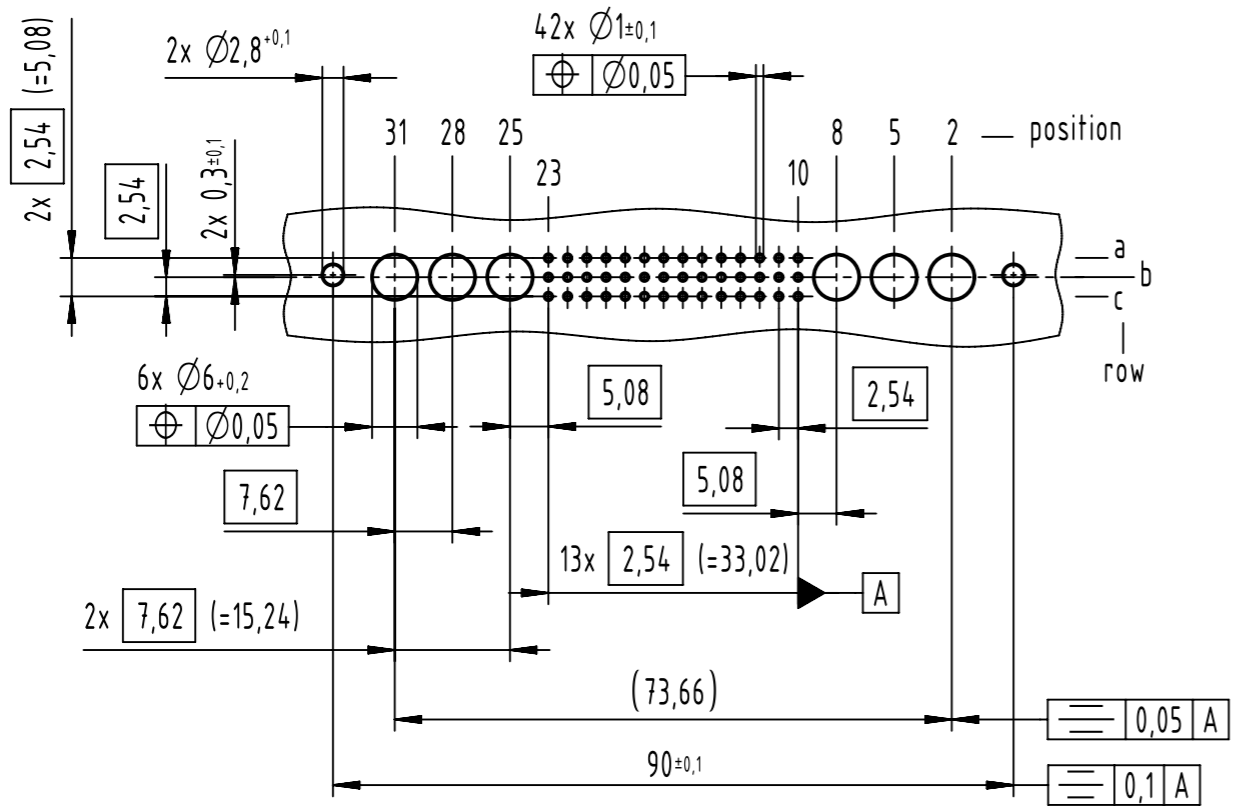


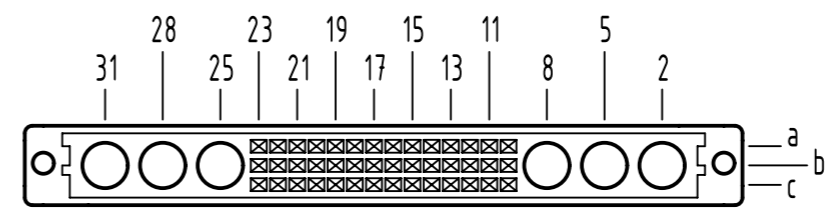
1 2 3 4 5 6 7 8

A B C D E F

A
board drillings

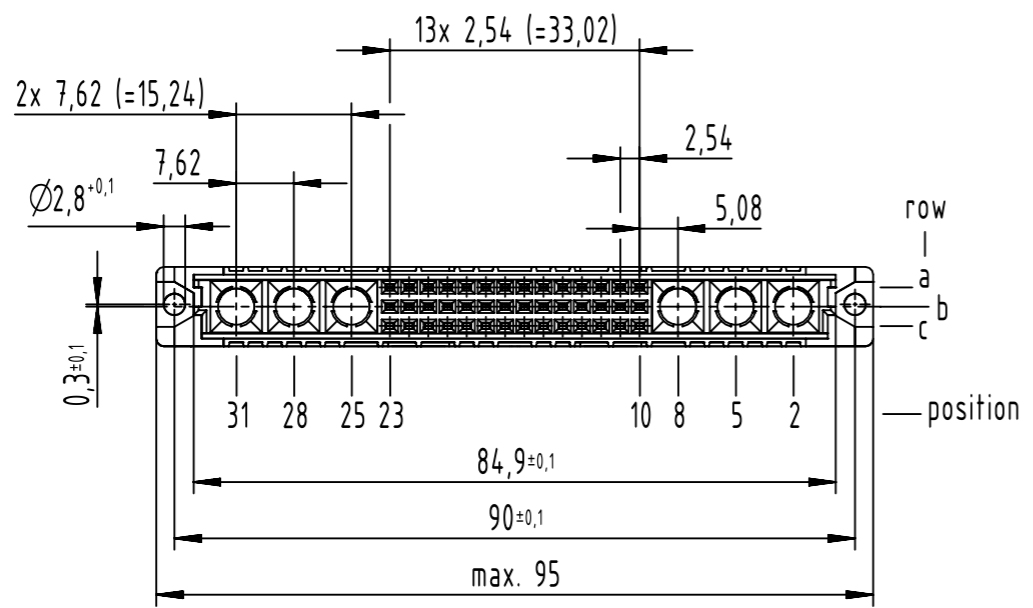
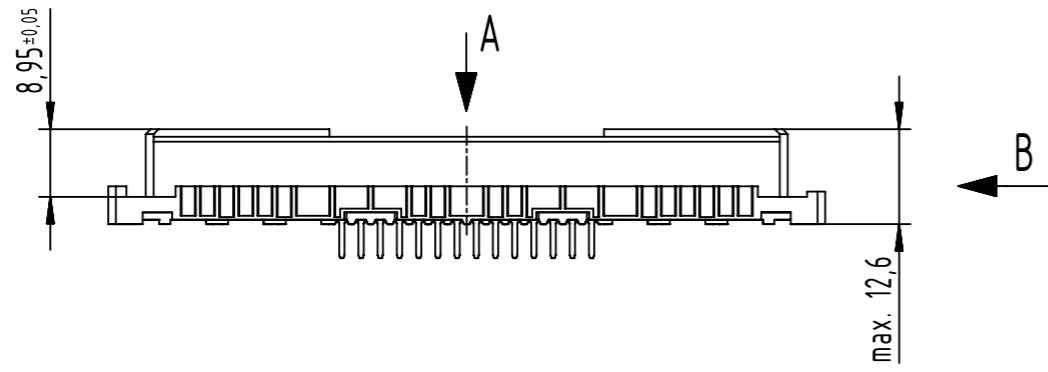
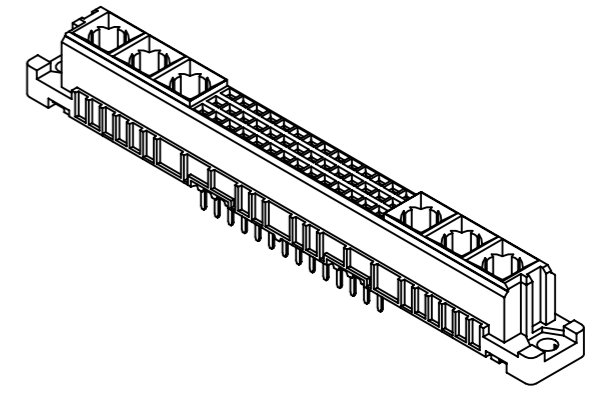
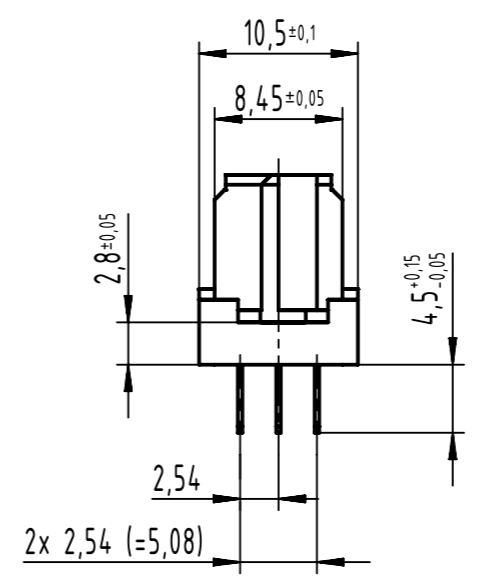


A
contact arrangement



42 solder contacts
 ☒ = solder contact
 □ = position without contact

B (2:1)



09 03 242 8865	Au50
09 03 242 6865	2
part no.	performance level

further information see product data sheet

	All Dimensions in mm Original Size DIN A3	Scale 1:1	Free size tol. IEC 60603-2	Ref. Sub.
	All rights reserved Department EL PD	Created by BUSSMANN	Inspected by STORCK	Standardisation
HARTING D-32339 Espelkamp	Title DIN Signal type M42+6 flat female solder 4.5 42-pole			Doc-Key / ECM-Nr. 100072218/UGD/049/E 500000252308
	Type TB	Number 0903242X865	Date 2023-09-13	State Final Release
				Rev. E Page 1/1

1 2 3 4 5 6 7 8