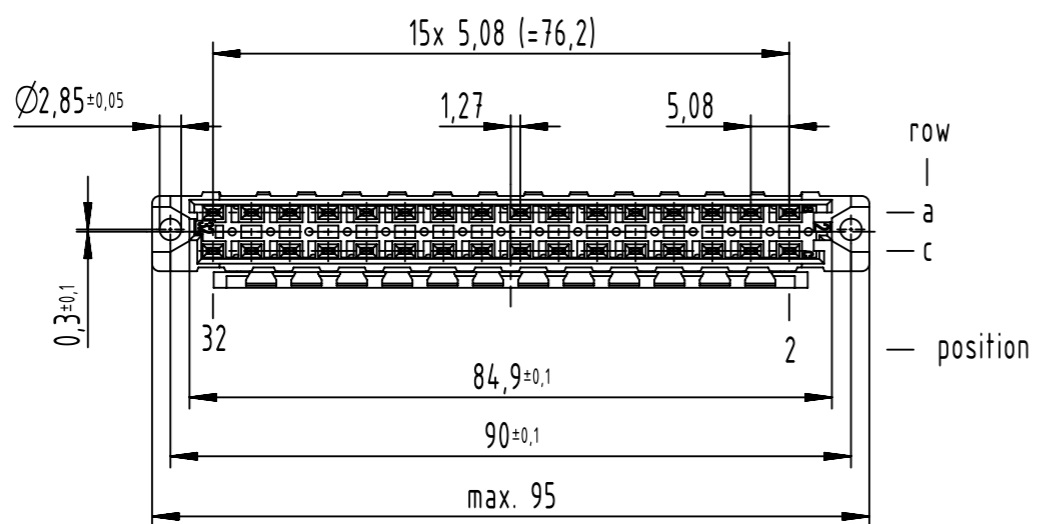
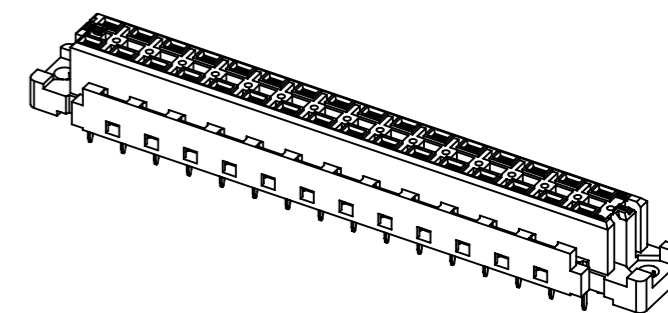
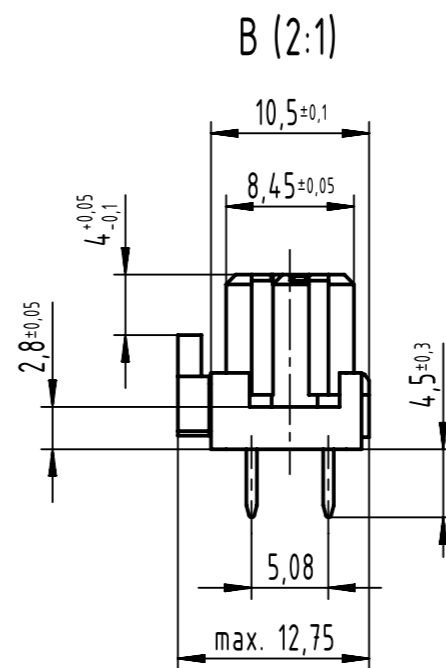
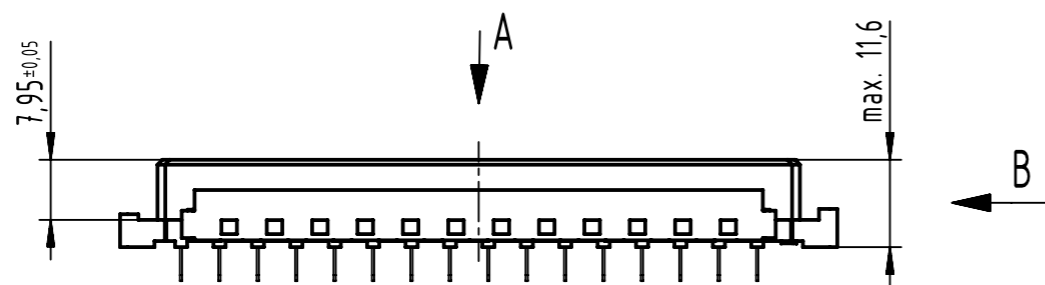


32 solder contacts



further information see product data sheet

	All Dimensions in mm Original Size DIN A3	Scale 1:1	Free size tol. IEC 60603-2	Ref.	
	All rights reserved Department EL PD	Created by BUSSMANN	Inspected by STORCK	Standardisation	Date 2023-08-24
HARTING D-32339 Espelkamp	Title DIN Power type D female solder 4.5 with coding 32-pole			State Final Release	
	Type TB	Number 0904732X831		Doc-Key / ECM-Nr. 100217573/UGD/023/D 50000251116	Page 1/1

09 04 732 6831	2
part no.	performance level