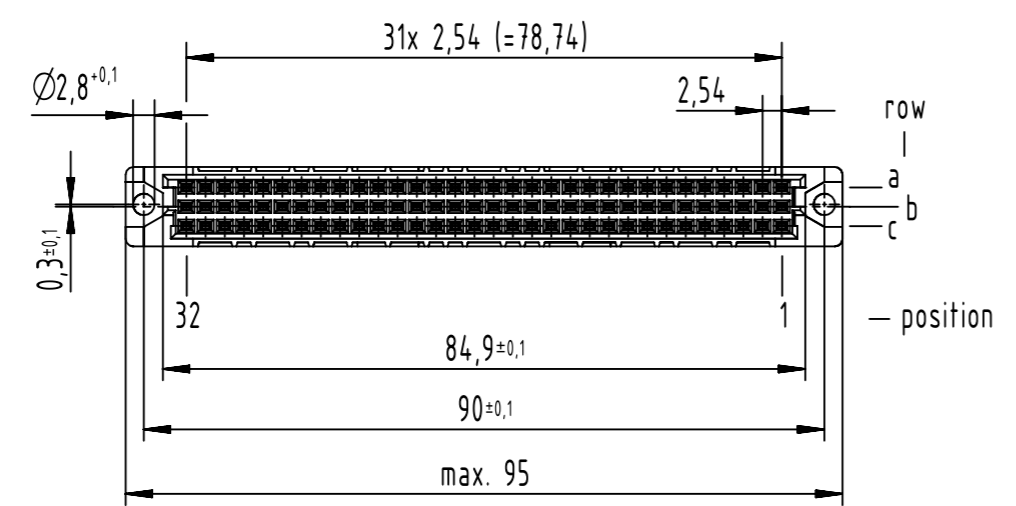
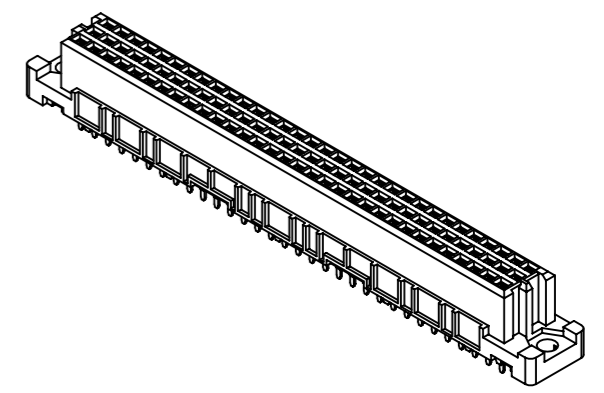
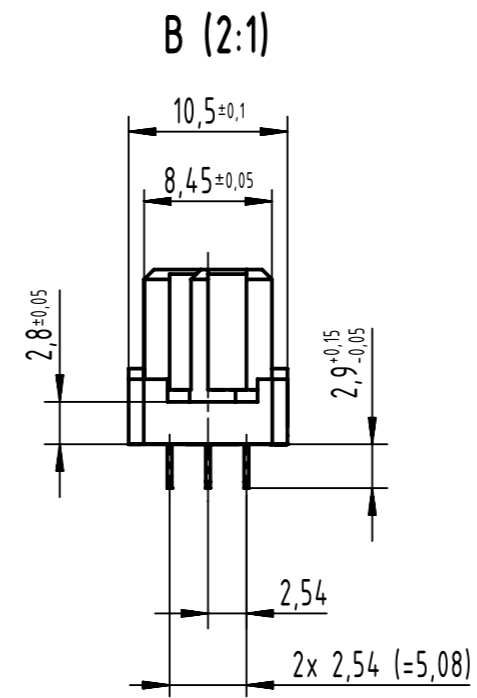
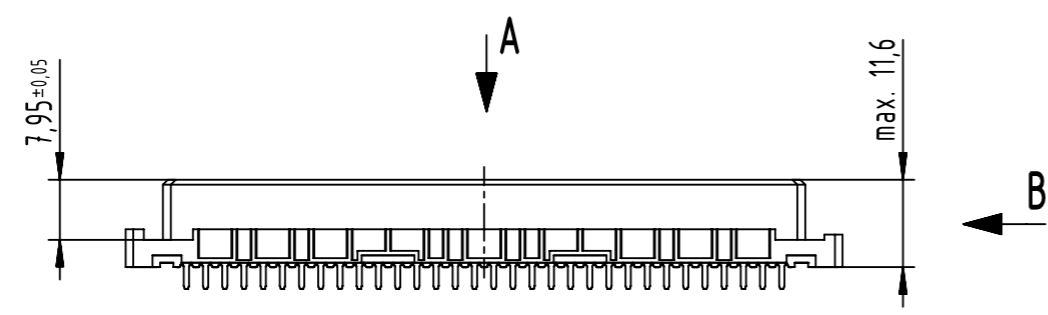


96 solder contacts

⊗ = solder contact  
 ■ = kinked solder contact  
 □ = position without contact



further information see product data sheet

09 03 296 7841	3
09 03 296 6841	2
part no.	performance level

All Dimensions in mm Original Size DIN A3		Scale 1:1	Free size tol. IEC 60603-2	Ref.
All rights reserved Department EL PD		Created by STORCK	Inspected by LEHNERT	Standardisation 302077
HARTING D-32339 Espelkamp		Title DIN Signal type C female solder 2.9 96-pole, CTI>400		Date 2021-03-12 State Final Release
		Type TB	Number 0903296X841	Doc-Key / ECM-Nr. 100173852/UGD/161/G 500000190255 Rev. <b>G</b> Page 1/1