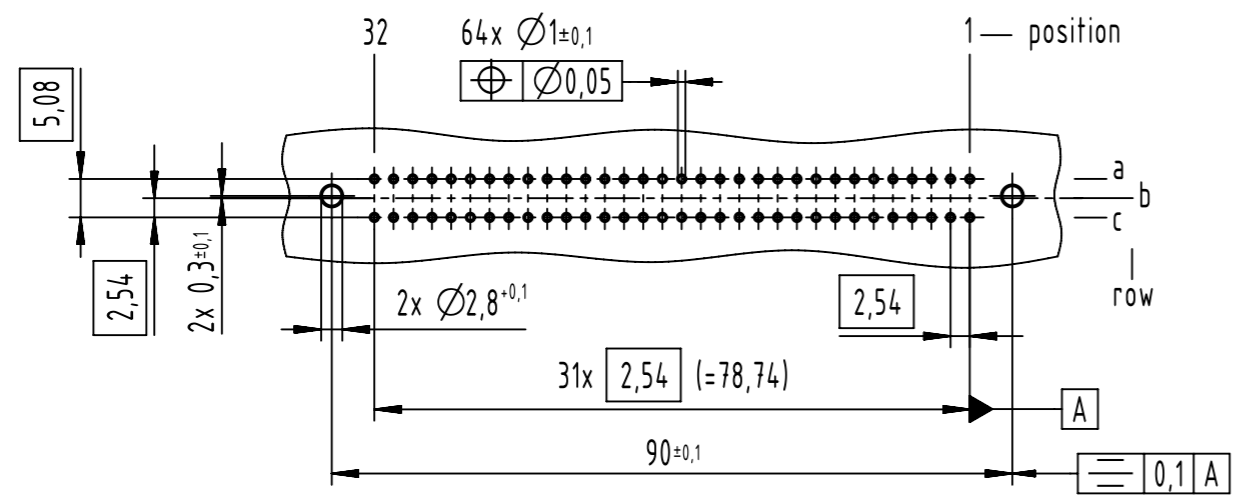
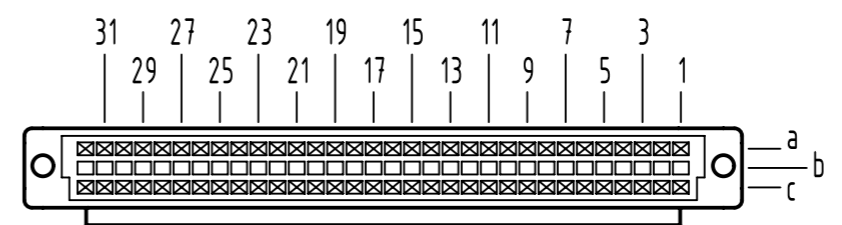


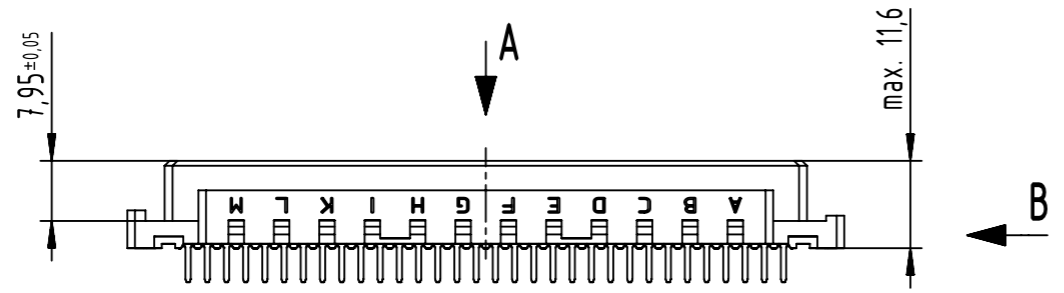
A
board drillings



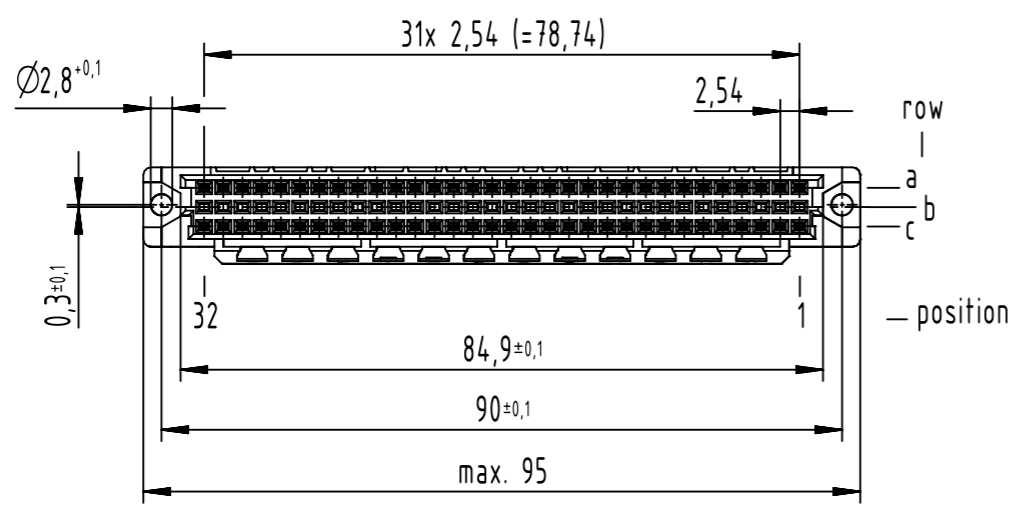
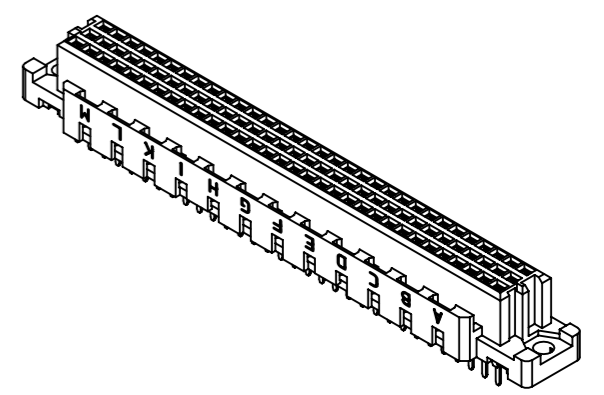
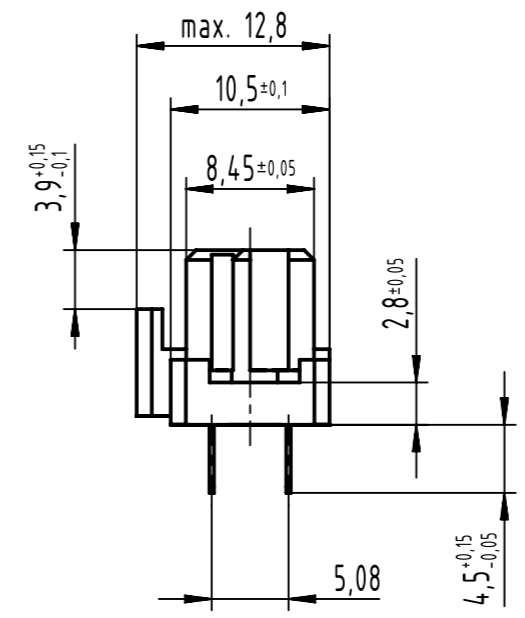
A
contact arrangement



- 64 solder contacts
- ⊗ = solder contact
- = kinked solder contact
- = position without contact



B (2:1)



09 03 764 8825	Au50
09 03 764 6825	2
09 03 764 2825	1
part no.	performance level

further information see product data sheet

	All rights reserved	Created by STORCK	Inspected by LEHNERT	Standardisation 302077	Date 2021-03-12	State Final Release
	Department EL PD	Title DIN Signal type C female solder 4.5 with coding 64-pole				Doc-Key / ECM-Nr. 100173852/UGD/206/J 500000190783
HARTING D-32339 Espelkamp	Type TB	Number 0903764X825			Rev. J	Page 1/1