

A  
board drillings

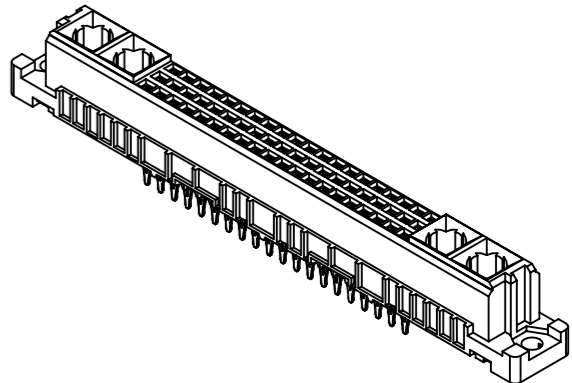
A  
contact arrangement

60 press-in contacts

☒ = press-in contact

□ = position without contact

B (2:1)



09 03 260 8830	Au50
09 03 260 6830	2
part no.	performance level

1 recommended configuration of plated holes and further information see product data sheet

		All Dimensions in mm Original Size DIN A3		Scale 1:1	Free size tol. IEC 60603-2	Ref. Sub.
All rights reserved Department EL PD		Created by STORCK	Inspected by LEHNERT	Standardisation SAP_WFRT	Date 2022-10-17	State Final Release
HARTING D-32339 Espelkamp		Title DIN Signal type M60+4 flat female press-in 4.5 60-pole			Doc-Key / ECM-Nr. 100072218/UGD/057/E 50000227342	
		Type TB	Number 0903260X830		Rev. E	Page 1/1