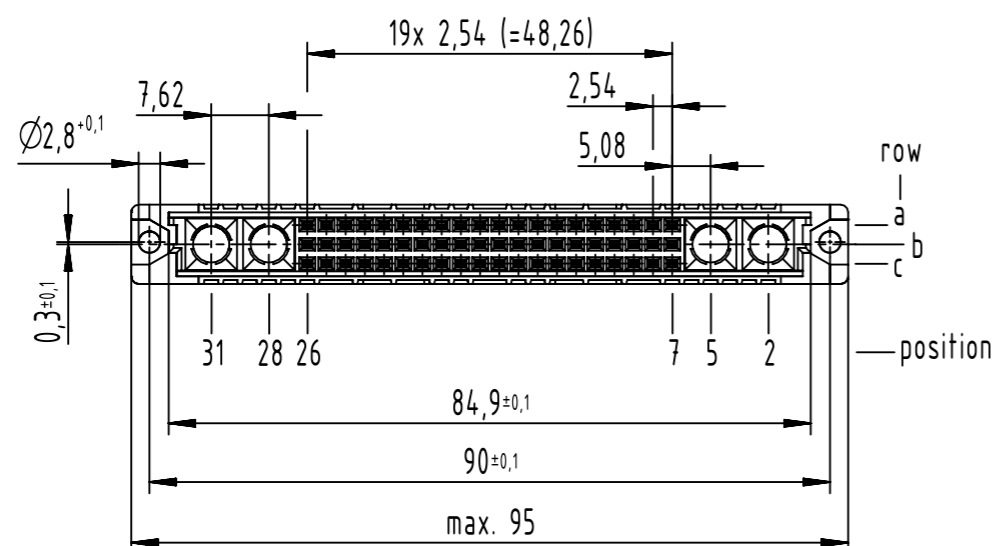
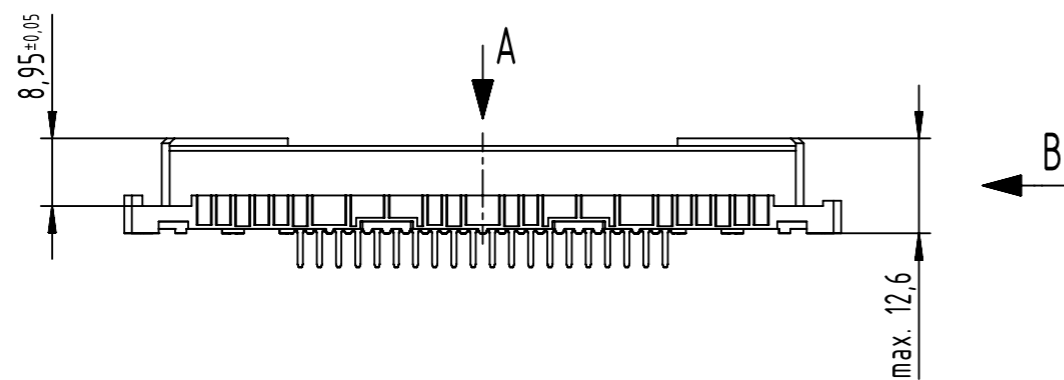
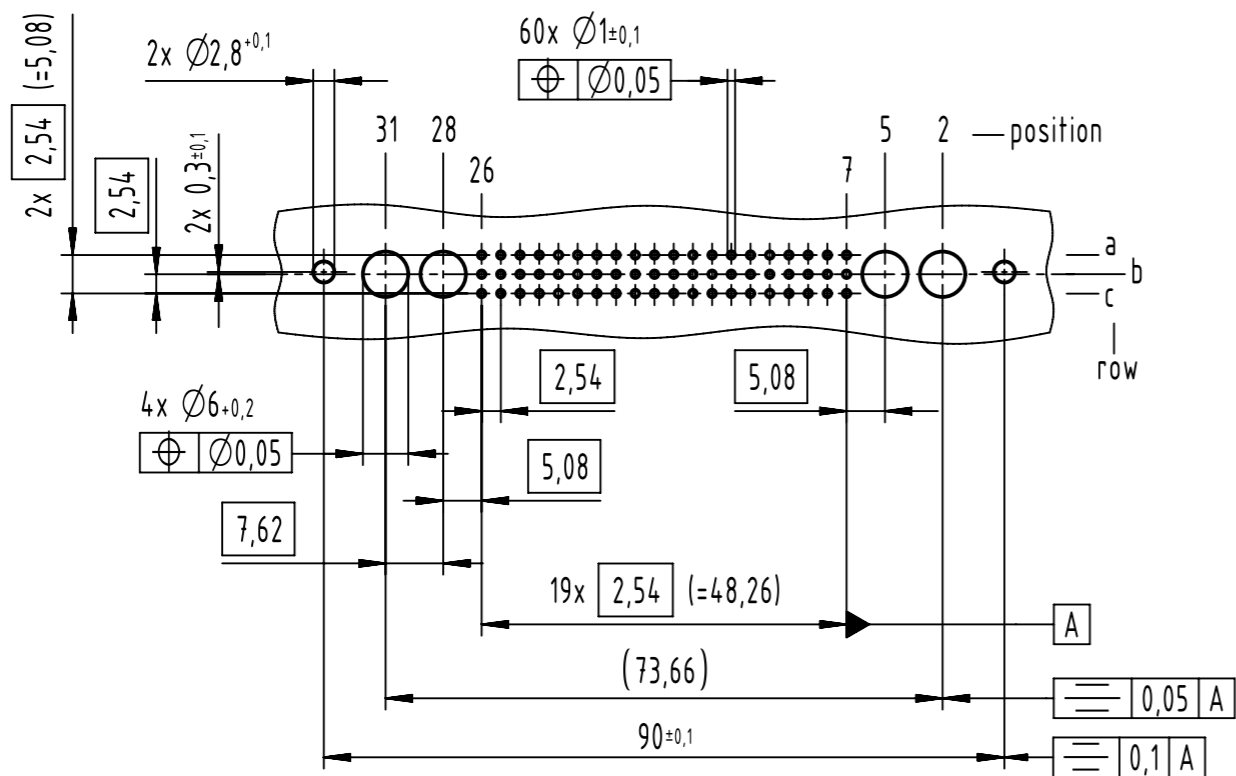
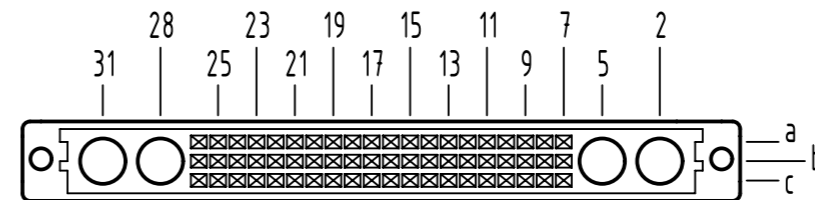


A  
board drillings



A  
contact arrangement

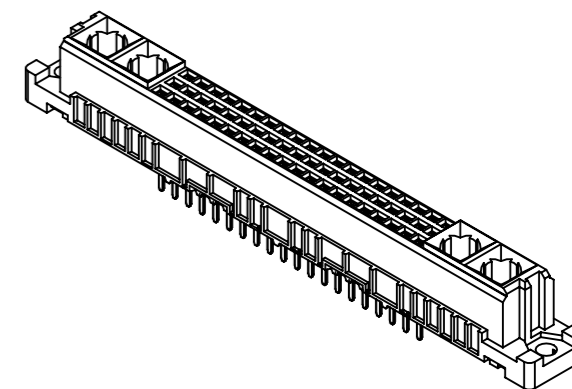
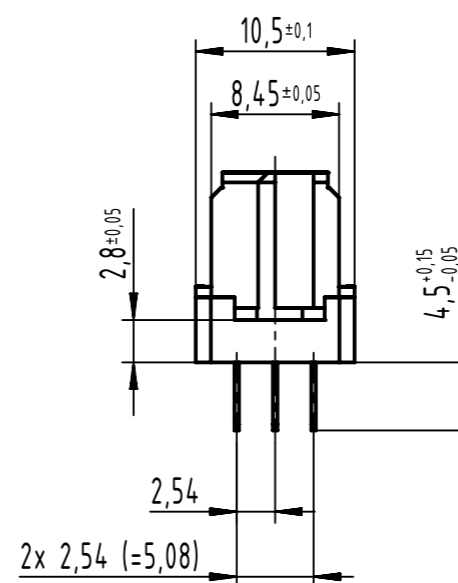


60 solder contacts

⊠ = solder contact

□ = position without contact

B (2:1)



further information see product data sheet

09 03 260 6865	2
part no.	performance level

	All Dimensions in mm Original Size DIN A3	Scale 1:1	Free size tol. IEC 60603-2	Ref.
	All rights reserved Department EL PD	Created by BUSSMANN	Inspected by STORCK	Standardisation
HARTING D-32339 Espelkamp	Title DIN Signal type M60+4 flat female solder 4.5 60-pole			Date 2023-09-13
	Type TB	Number 0903260X865	State Final Release	
				Doc-Key / ECM-Nr. 100072218/UGD/063/E 500000252308
				Rev. E
				Page 1/1