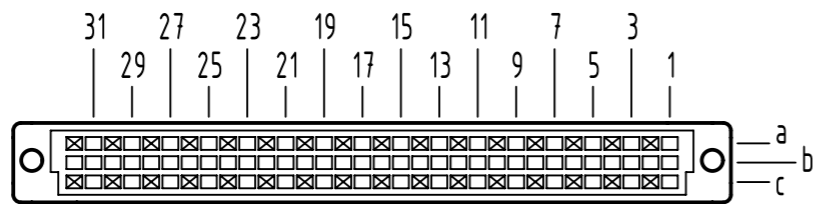


A
contact arrangement

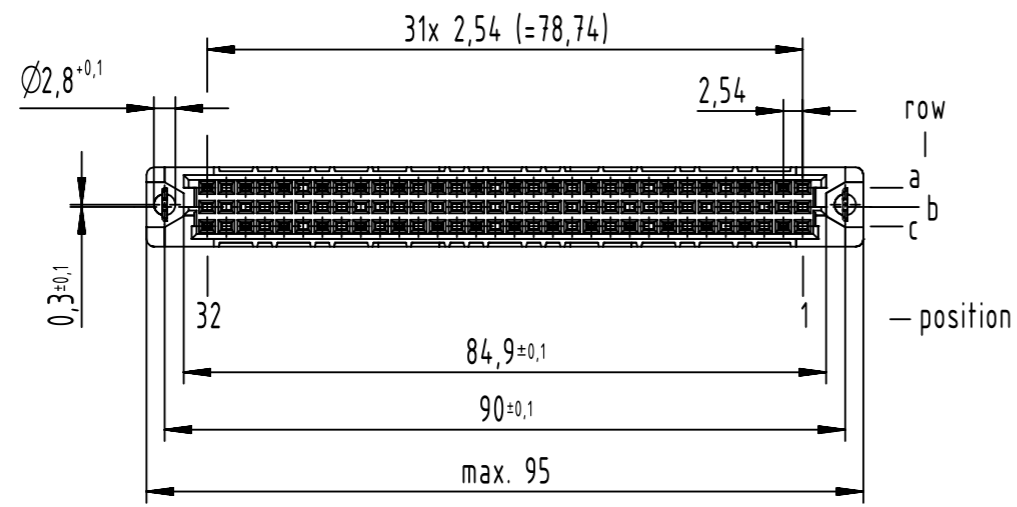
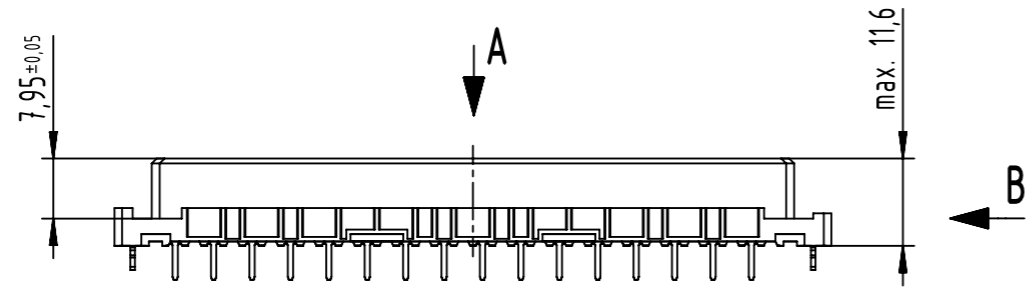
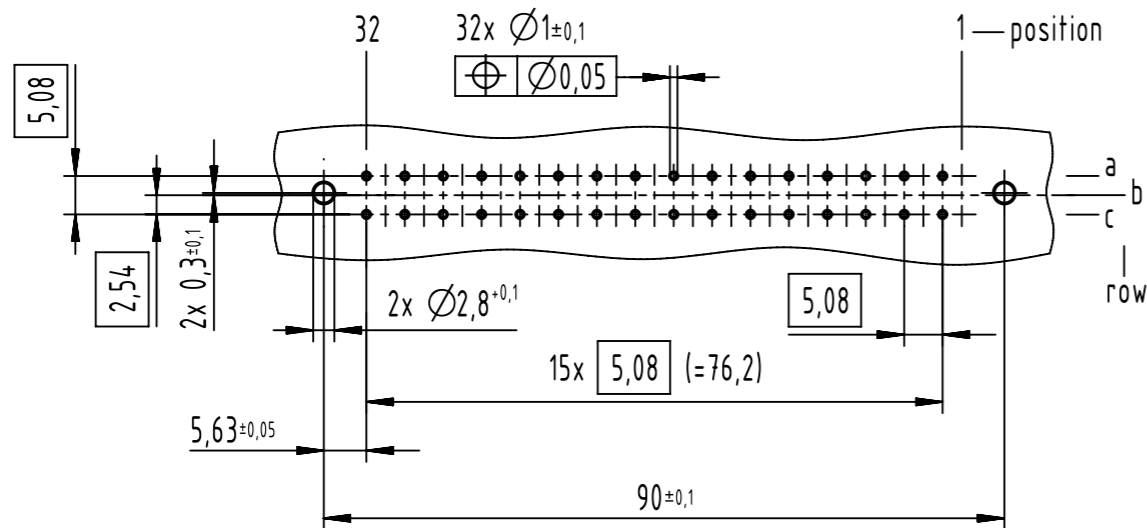


32 solder-contacts

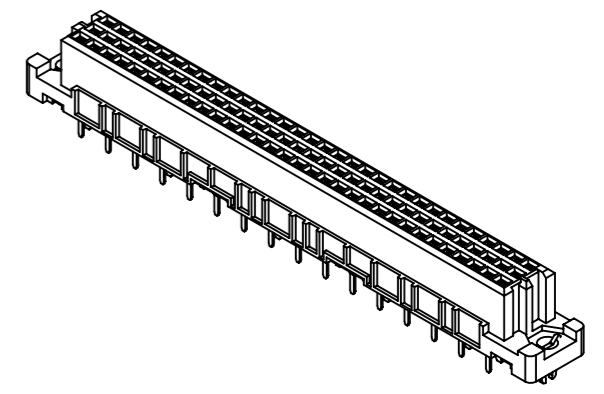
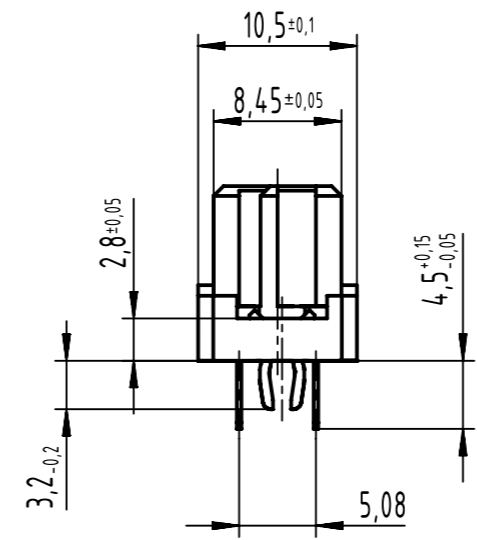
⊗ = solder-contact

□ = position without contact

A
board drillings



B (2:1)



09 03 432 6825	2
part no.	performance level

further information see product data sheet

<p>All rights reserved Department EL PD HARTING D-32339 Espelkamp</p>	<p>All Dimensions in mm Original Size DIN A3</p>	<p>Scale 1:1</p>	<p>Free size tol. IEC 60603-2</p>	<p>Ref. Sub. TB 09 03 432 x825 / Mod. 36400 / 06.07.2011</p>
	<p>Created by STORCK</p>	<p>Inspected by LEHNERT</p>	<p>Standardisation 302077</p>	<p>Date 2021-03-12</p>
<p>Title DIN Signal type C female solder 4.5 with clip 32-pole</p>				<p>Doc-Key / ECM-Nr. 100173852/UGD/174/G 500000190783</p>
<p>Type TB</p>		<p>Number 0903432X825</p>		<p>Rev. G</p>
				<p>Page 1/1</p>