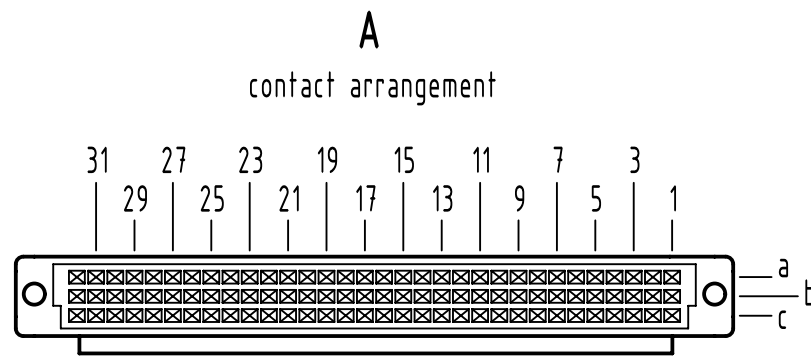
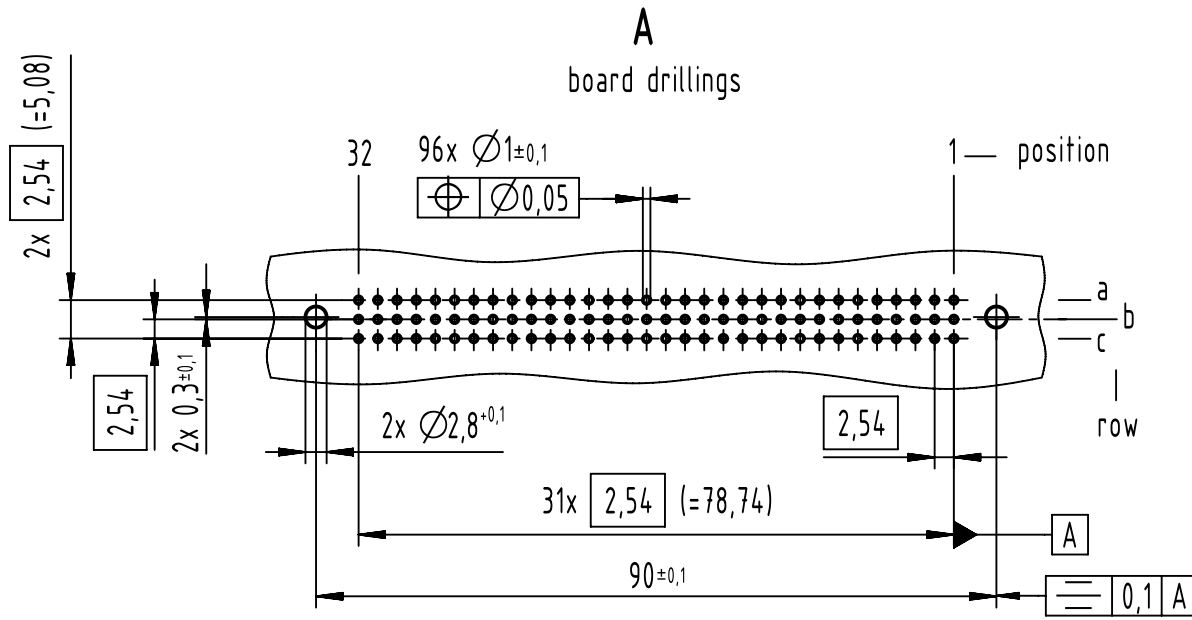


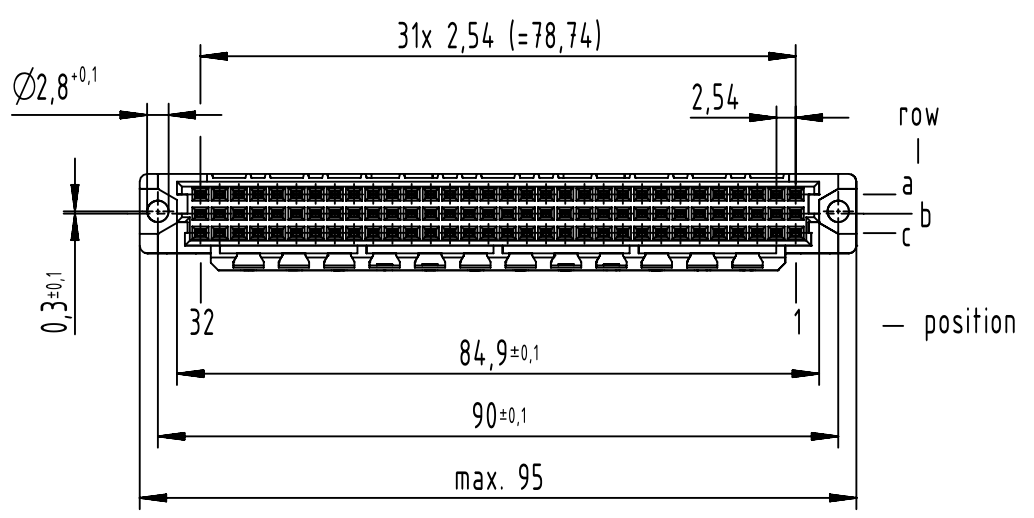
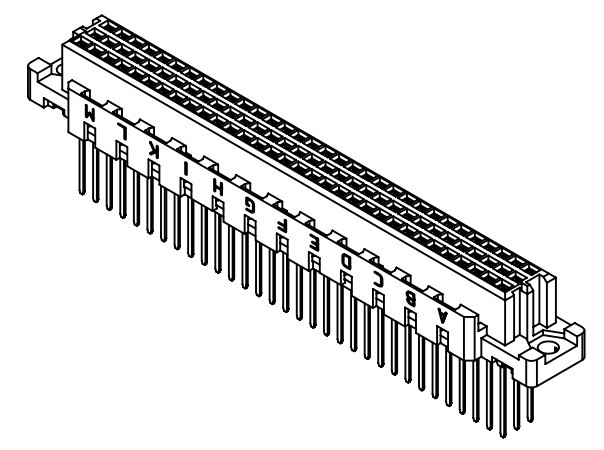
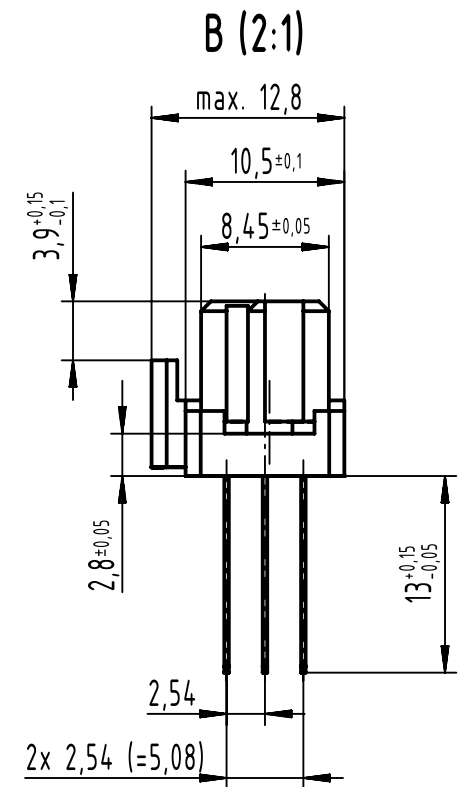
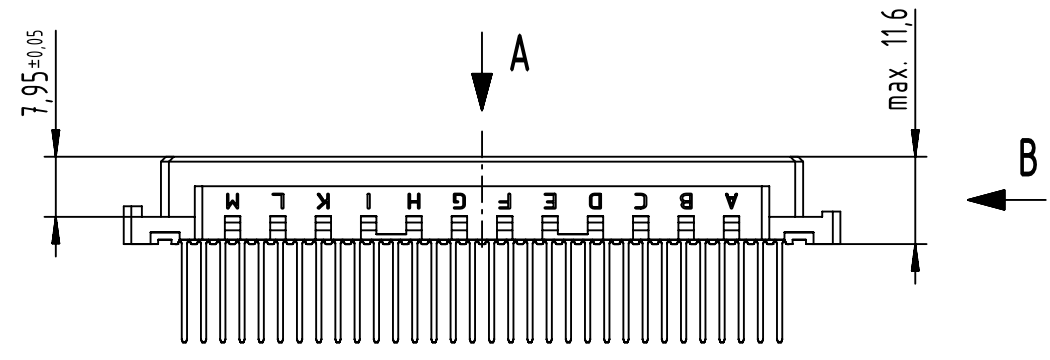
1 2 3 4 5 6 7 8

A  
B  
C  
D  
E  
F

A  
B  
C  
D  
E  
F



96 solder contacts  
 ☒ = solder contact  
 □ = position without contact



09 03 796 6421	2
part no.	performance level

further information see product data sheet

All rights reserved Department EL PD HARTING D-32339 Espelkamp	All Dimensions in mm Original Size DIN A3	Scale 1:1 Free size tol. IEC 60603-2	Ref. Sub.	Created by STORCK	Inspected by LEHNERT	Standardisation 302077	Date 2021-03-23	State Final Release	Doc-Key / ECM-Nr. 100173852/UGD/254/G 500000191082
	Title DIN Signal type C female solder 13.0 w. coding 96-pole	Type TB	Number 0903796X421	Rev. G	Page 1/1				

1 2 3 4 5 6 7 8