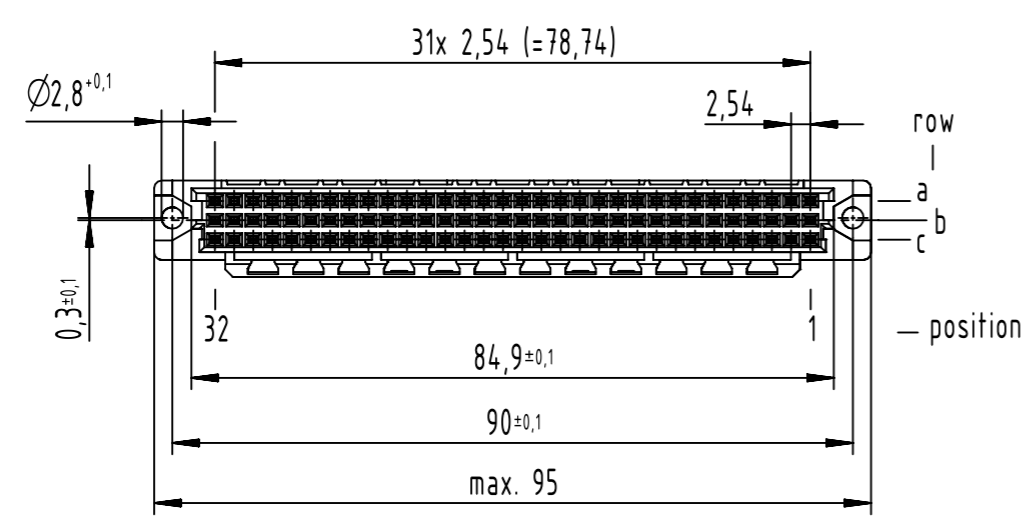
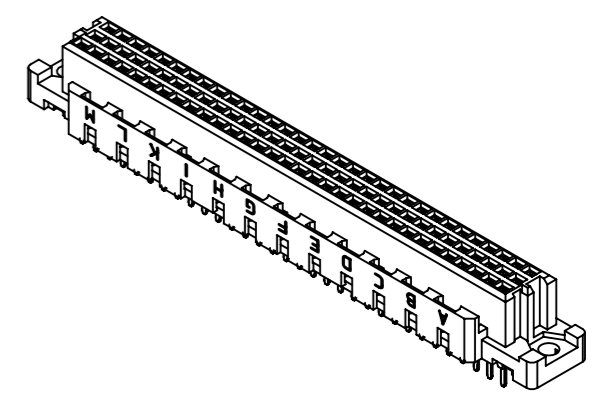
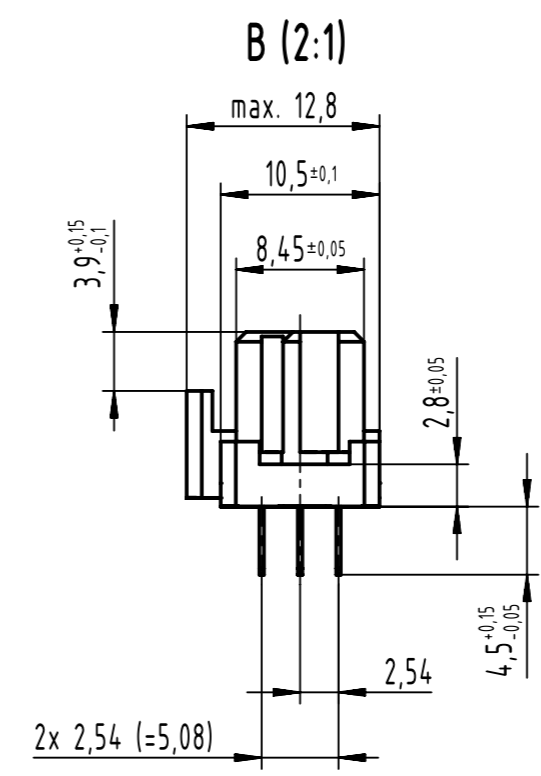
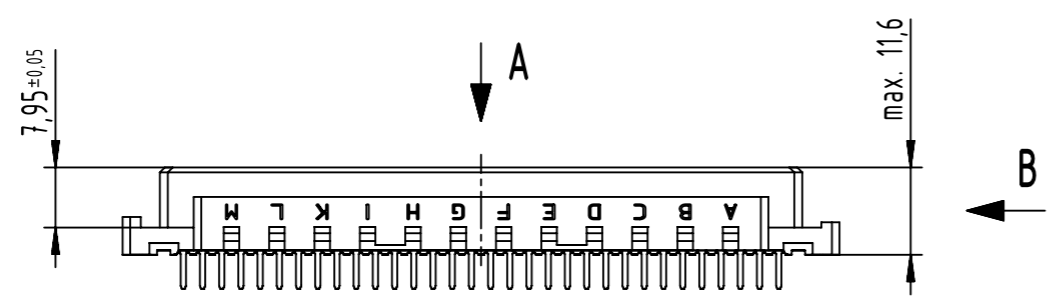


96 solder contacts  
 ☒ = solder contact  
 ■ = kinked solder contact  
 □ = position without contact



09 03 796 6825	2
09 03 796 2825	1
part no.	performance level

further information see product data sheet

	All Dimensions in mm Original Size DIN A3	Scale 1:1	Free size tol. IEC 60603-2	Ref. Sub.
	All rights reserved Department EL PD	Created by STORCK	Inspected by LEHNERT	Standardisation 302077
HARTING D-32339 Espelkamp	Title DIN Signal type C female solder 4.5 with coding 96-pole			Doc-Key / ECM-Nr. 100173852/UGD/212/G 500000190783
	Type TB	Number 0903796X825	Rev. G	Page 1/1