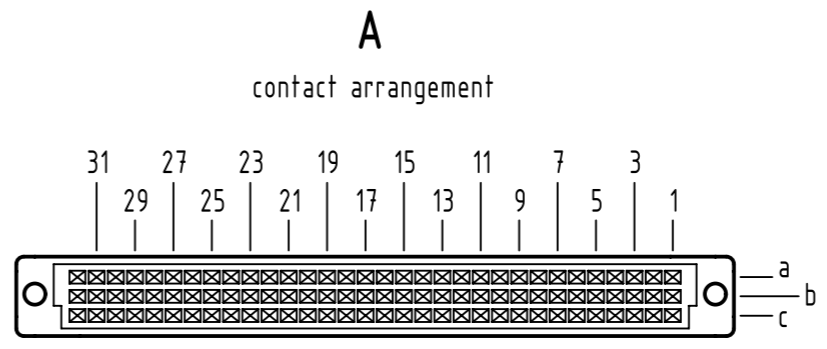
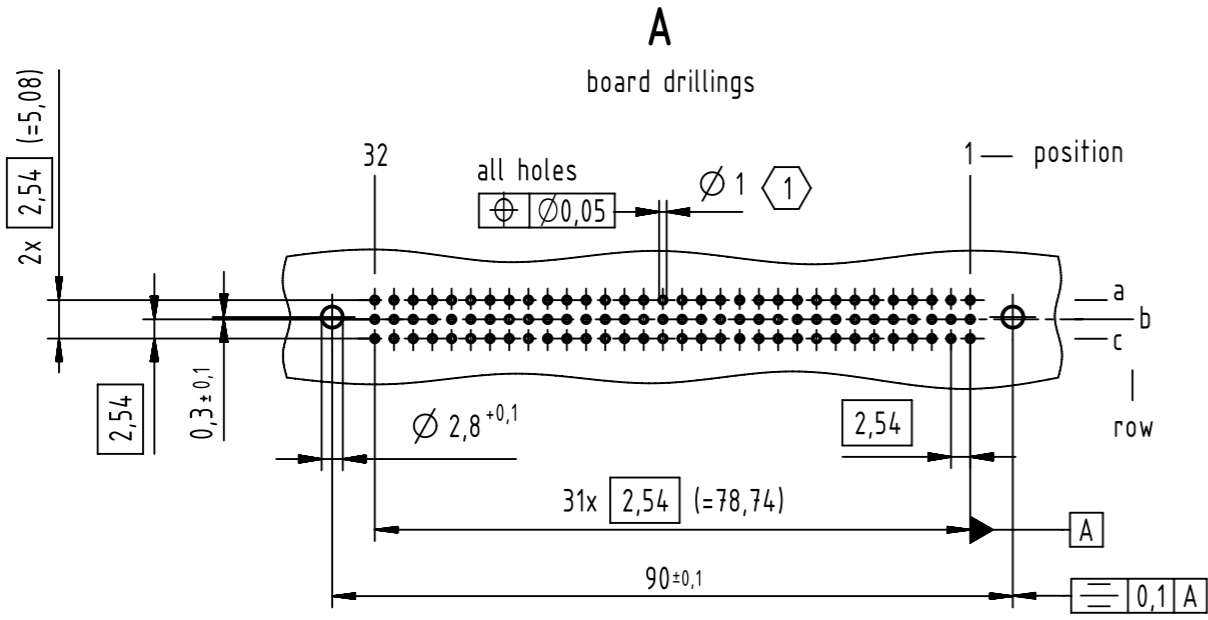


1 2 3 4 5 6 7 8

A
B
C
D
E
F

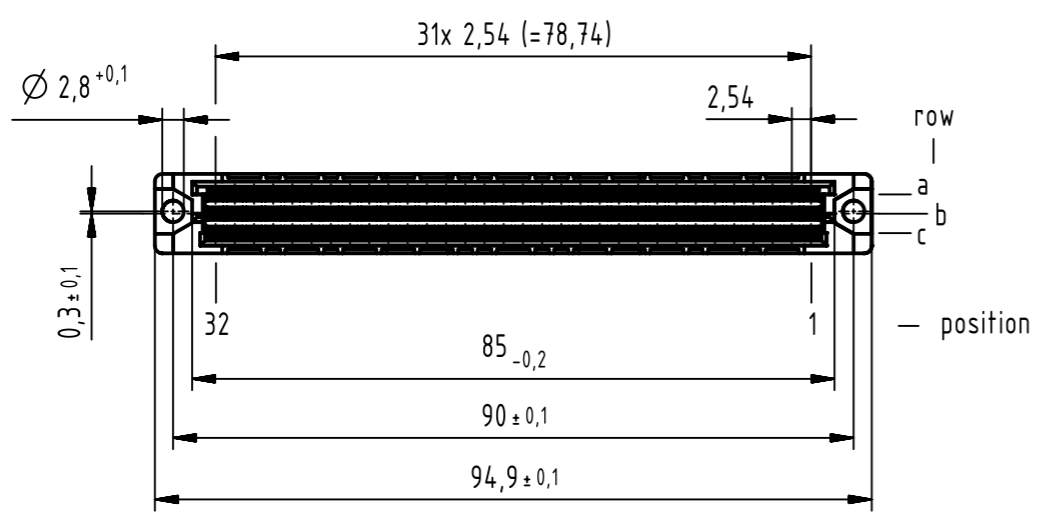
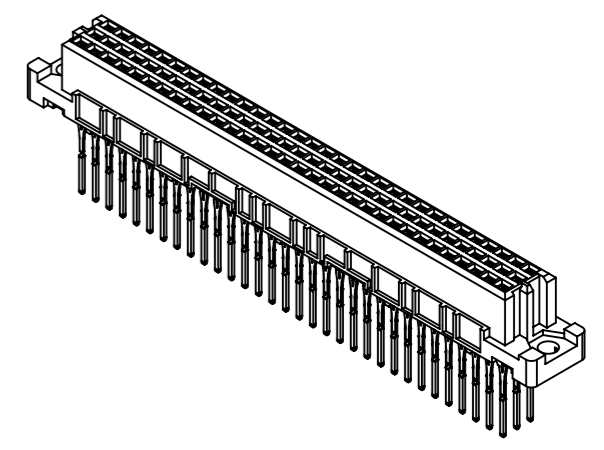
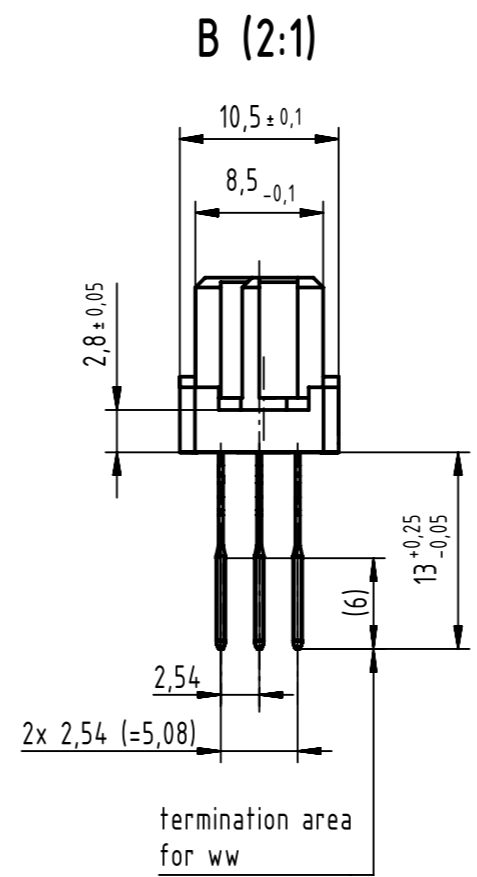
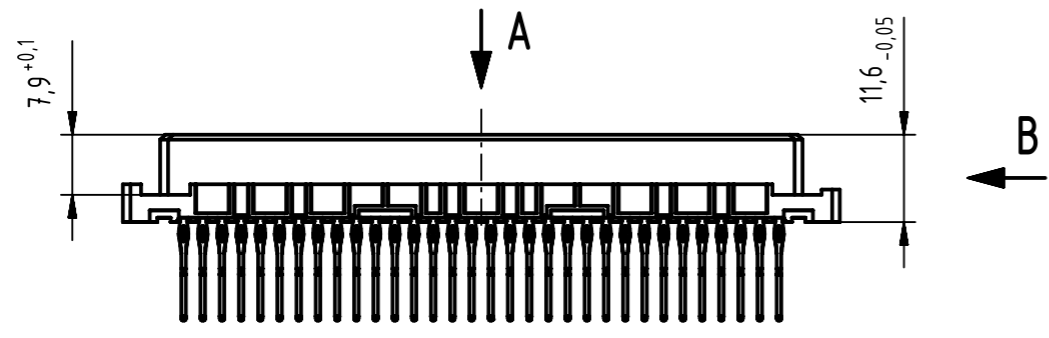
A
B
C
D
E
F



96 press-in contacts

\otimes = position with contact

\square = position without contact



① recommended configuration of plated through holes and further information see: DS 09032100001

09 03 296 6851	2
part-no	performance level ①

	All rights reserved	Created by	Inspected by	Standardisation	Date	State	
	Department EL PD	STORCK	LEHNERT	KOHLER	2016-05-20	Final Release	
HARTING Electronics GmbH		Title				Doc-Key / ECM-Nr.	
D-32339 Espelkamp		DIN Signal type C female press-in 13.0 96-pole				100072194/UGD/077/D 500000104358	
Type	TB	Number	0903296X851			Rev.	Page
						D	1/1

1 2 3 4 5 6 7 8