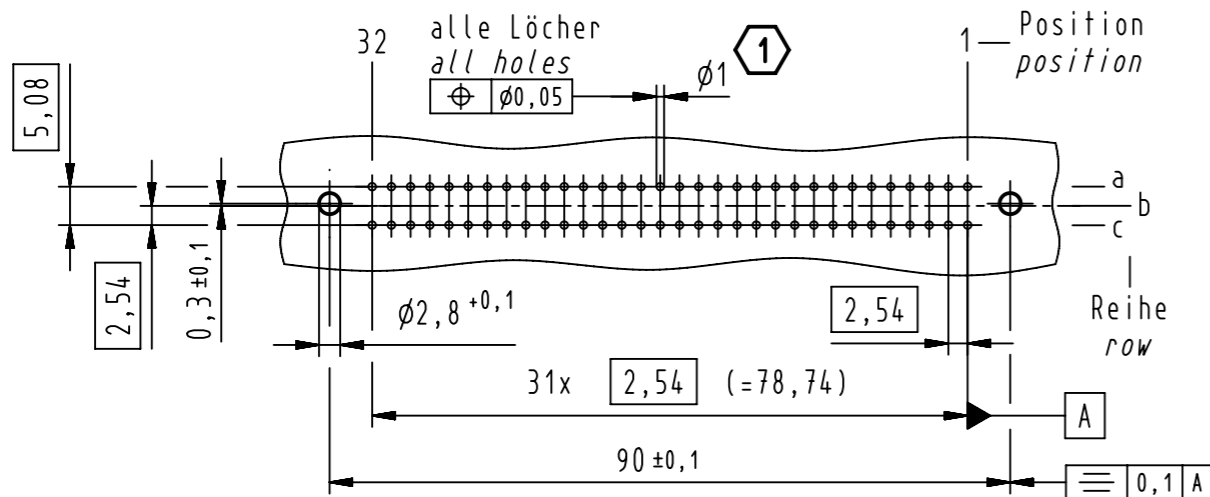
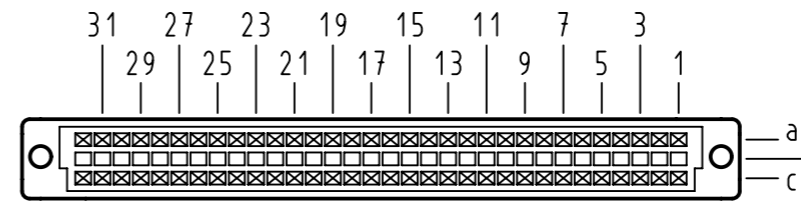


X
Lochbild
board drillings



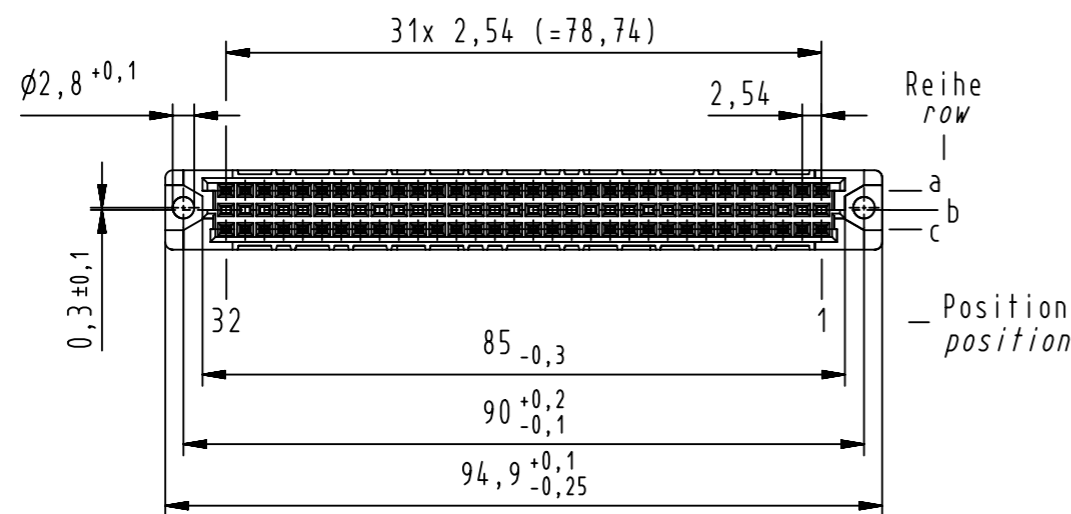
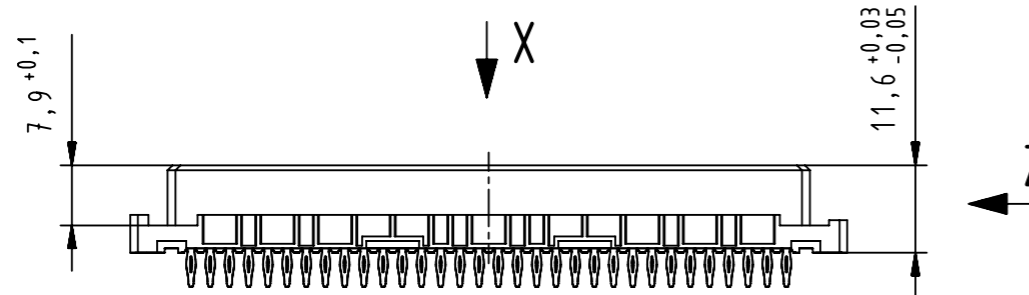
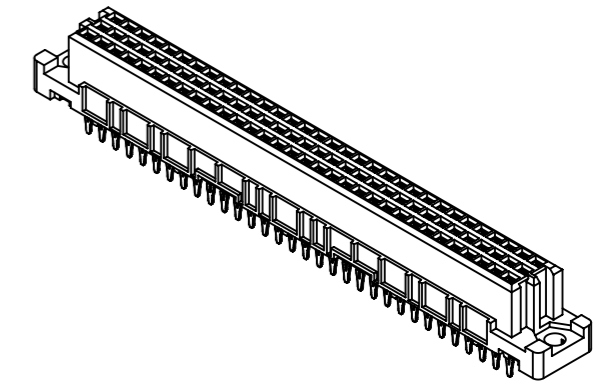
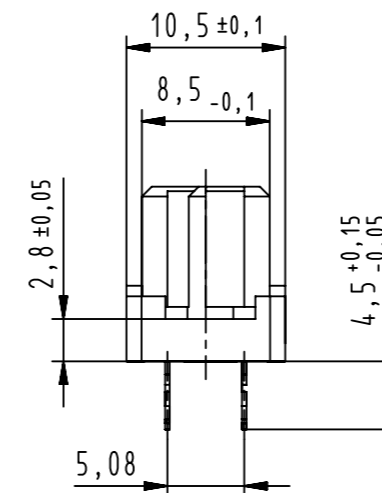
X
Kontaktanordnung
contact arrangement



64 Einpress Kontakte
64 press-in contacts

- ☒ = Einpress Kontakt
= press-in contact
- ☐ = Kontaktposition nicht belegt
= position without contact

Z (2:1)



Empfohlener Lochaufbau und
weitere Informationen siehe: DS 09 03 212 00 01
recommended configuration of plated through holes
and further information see: DS 09 03 212 00 01

09 03 264 6850 222	2
09 03 264 2850 222	1
Bestell-Nr. part-no.	Anforderungsstufe performance level 1

	All Dimensions in mm Original Size DIN A3	Scale 1:1	Free size tol. complementary IEC 60603-2		Ref. Sub.
	All rights reserved Department EC PD - DE	Created by LEHNERT	Inspected by TADJE	Standardisation HOFFMANN	Date 2013-01-10
HARTING Electronics GmbH D-32339 Espelkamp		Title DIN Signal type C female press-in NFF			Doc-Key / ECM-Nr. 100173852/UGD/116/C 50000055974
		Type TB	Number 0903264X850222		Rev. C Page 1/1