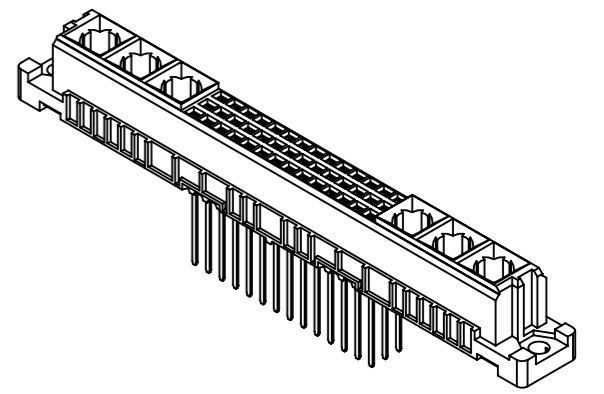
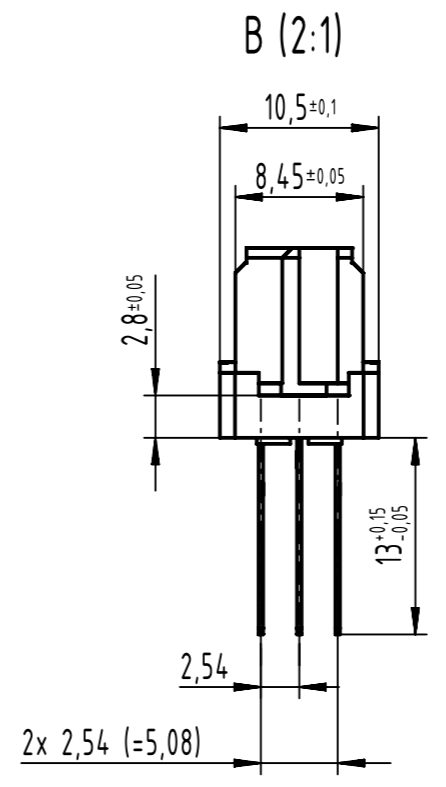


42 solder contacts

☒ = position with contact

☐ = position without contact



further information see product data sheet

09 03 242 6401	2
part no.	performance level

	All Dimensions in mm Original Size DIN A3	Scale 1:1	Free size tol. IEC 60603-2	Ref. Sub.
	All rights reserved Department EL PD	Created by BUSSMANN	Inspected by STORCK	Standardisation Date 2023-09-13
HARTING D-32339 Espelkamp	Title DIN Signal type M42+6 female solder 13.0 42-pole			State Final Release
Type TB		Number 0903242X401		Doc-Key / ECM-Nr. 100072218/UGD/093/G 500000252308
				Rev. G
				Page 1/1