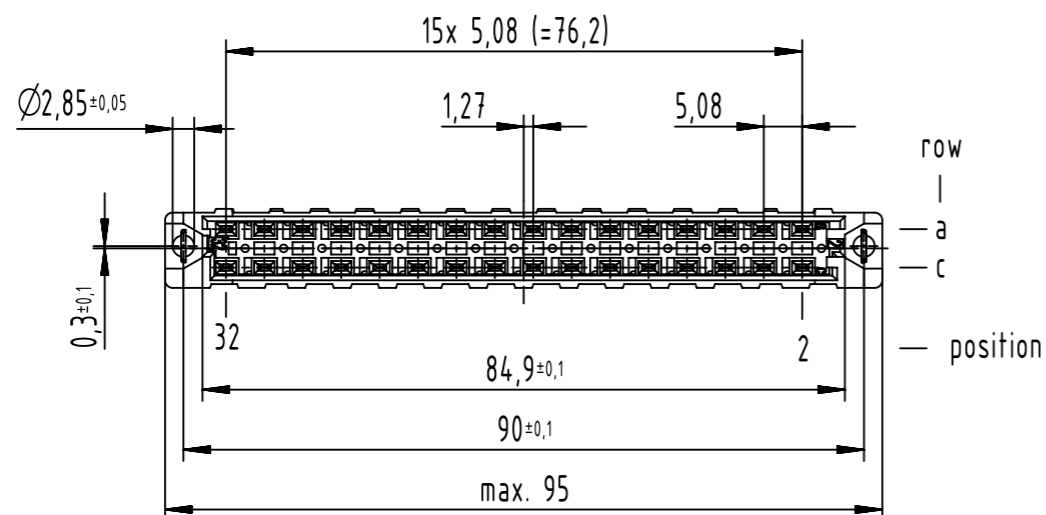
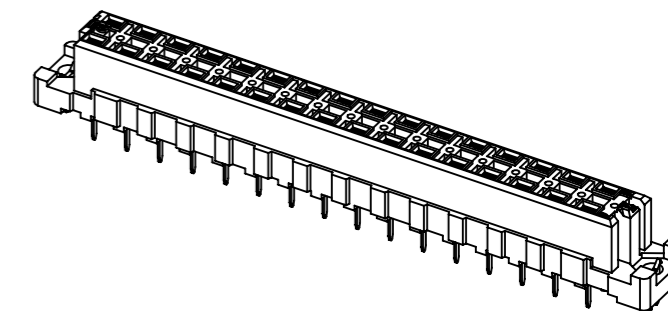
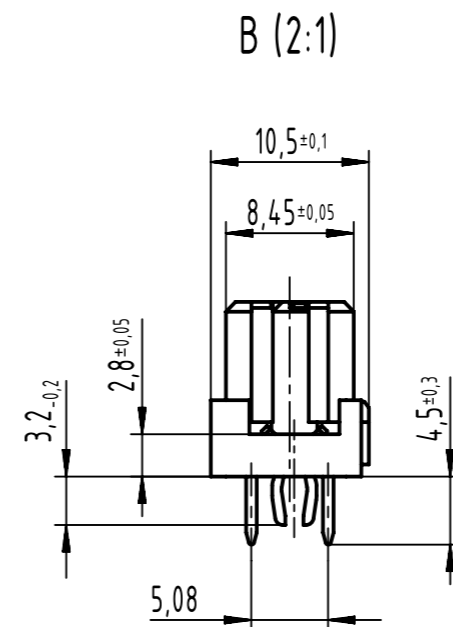
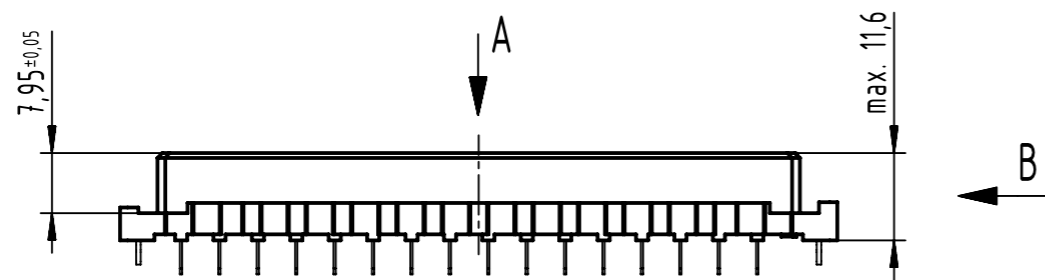


32 solder contacts

☒ = position with contact

□ = position without contact



further information see product data sheet

09 04 332 5831 015	Au30
09 04 332 6831	2
part no.	performance level

	All Dimensions in mm Original Size DIN A3	Scale 1:1	Free size tol. IEC 60603-2	Ref.
	All rights reserved Department EL PD	Created by BUSSMANN	Inspected by STORCK	Standardisation
HARTING D-32339 Espelkamp	Title DIN Power type D female solder 4.5 with clip 32-pole			Doc-Key / ECM-Nr. 100217573/UGD/019/E 50000251116
	Type TB	Number 0904332X831	Date 2023-08-24	State Final Release
				Rev. E
				Page 1/1