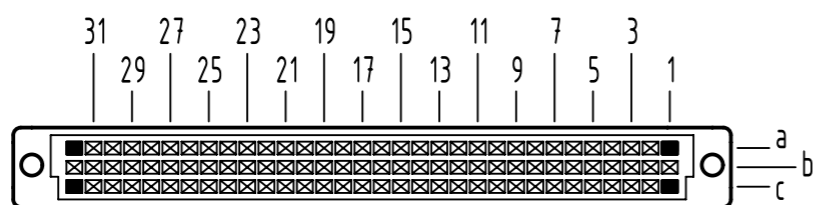


A
contact arrangement



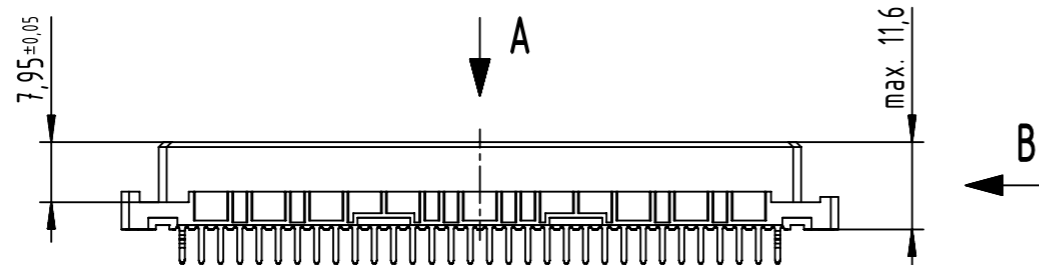
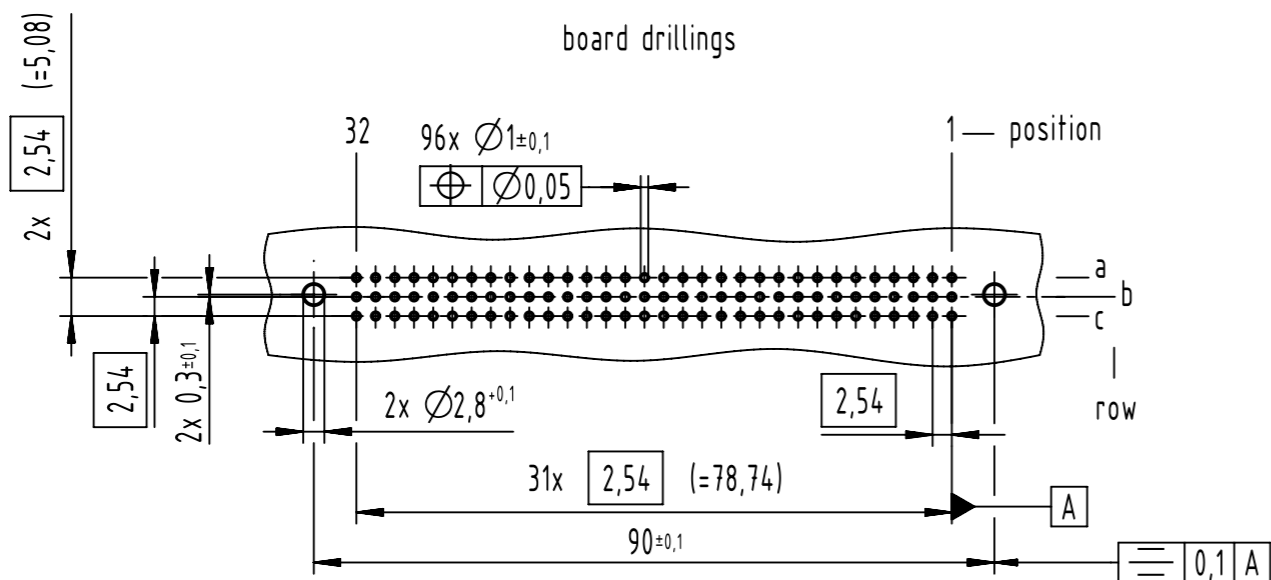
92 solder-contacts
4 kinked solder-contacts

⊗ = solder-contact

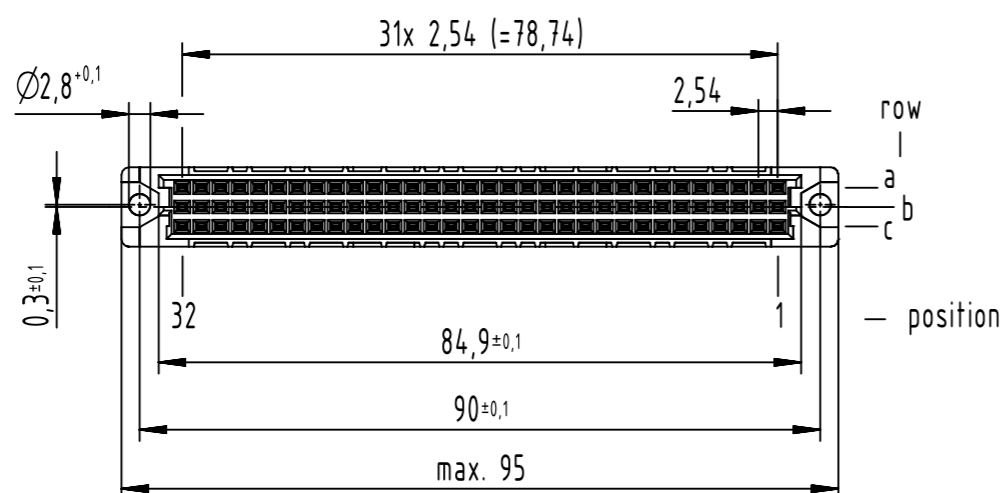
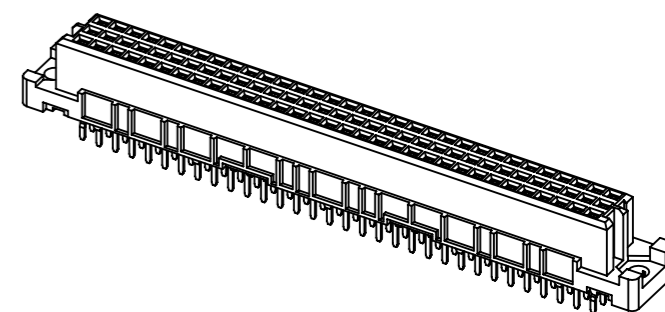
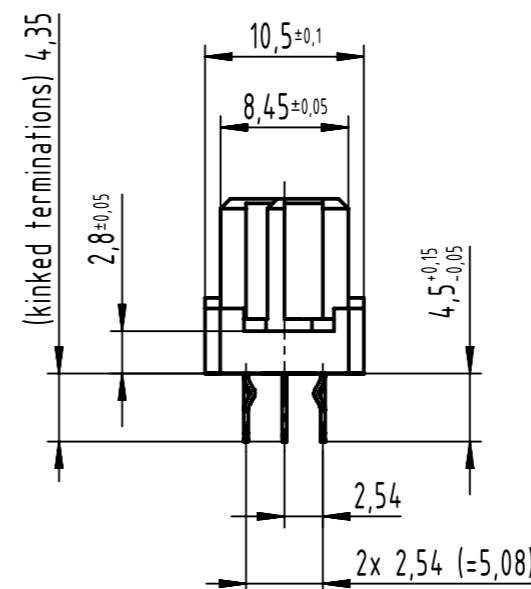
■ = kinked solder-contact

□ = position without contact

A
board drillings



B (2:1)



09 03 296 4845	Au70
09 03 296 7845	3
09 03 296 6845	2
09 03 296 2845	1
part no.	performance level

further information see product data sheet

	All Dimensions in mm Original Size DIN A3	Scale 1:1	Free size tol. IEC 60603-2	Ref.
	All rights reserved Department EL PD	Created by STORCK	Inspected by LEHNERT	Standardisation 302077
HARTING D-32339 Espelkamp	Title DIN Signal type C female kinked solder 4.5 96-pole			Doc-Key / ECM-Nr. 100173852/UGD/163/G 500000191082
	Type TB	Number 0903296X845	Date 2021-03-23	State Final Release
				Rev. G Page 1/1