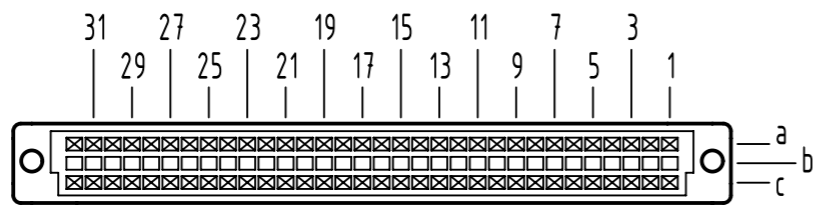


A
contact arrangement



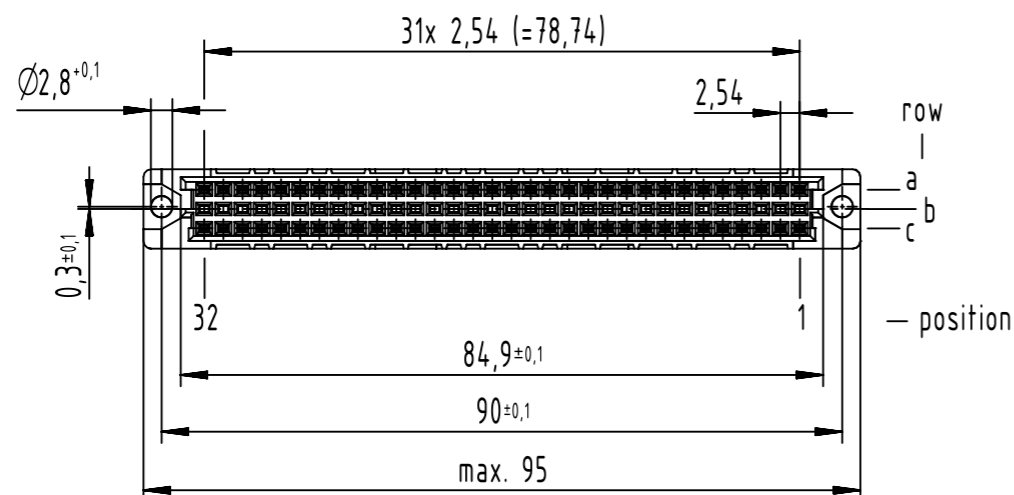
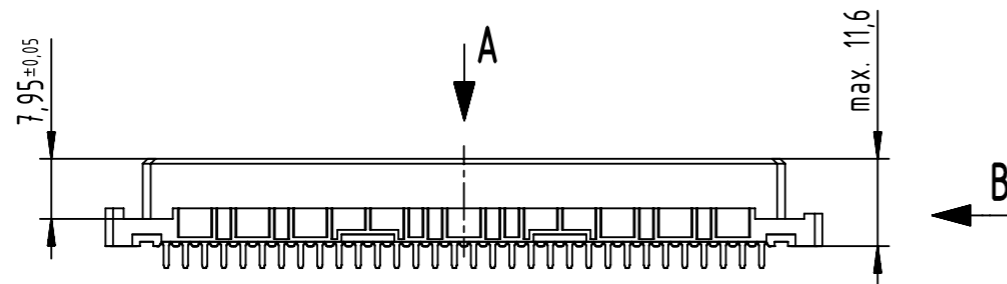
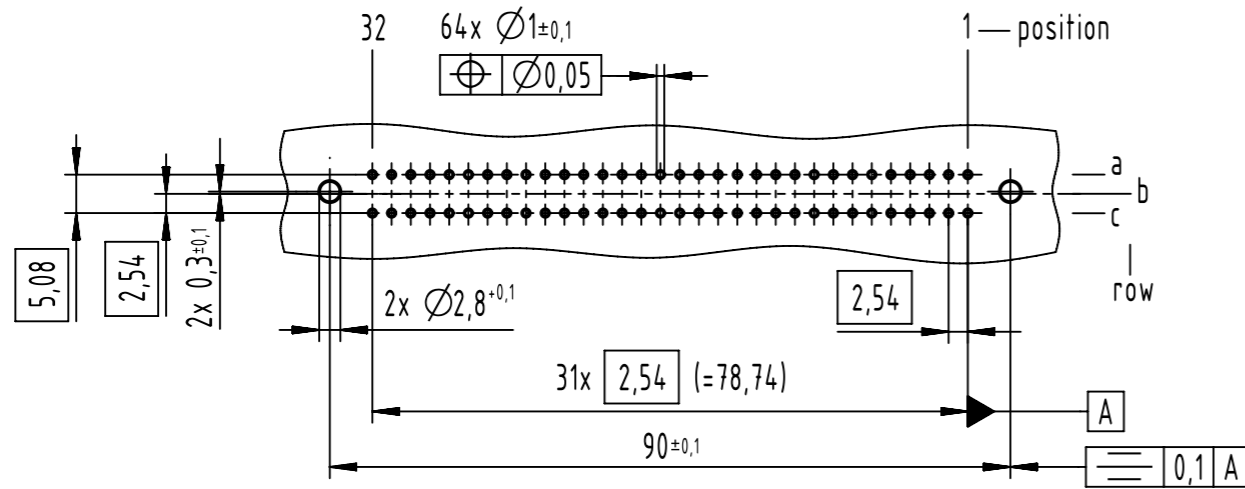
64 solder-contacts

⊗ = solder-contact

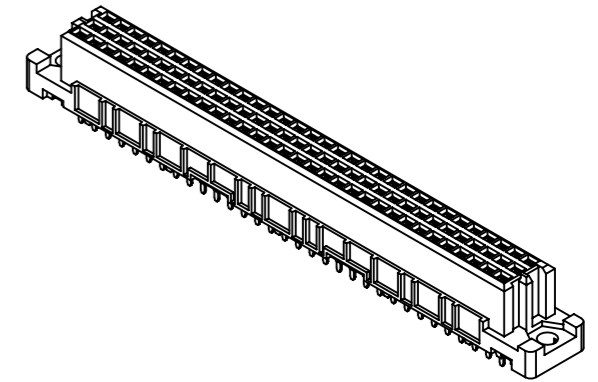
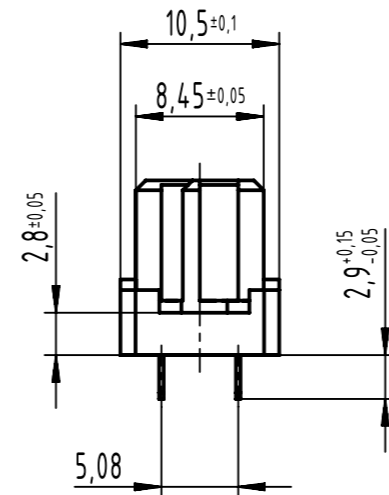
■ = kinked solder-contact

□ = position without contact

A
board drillings



B (2:1)



09 03 264 7824	3
09 03 264 6824	2
09 03 264 2824	1
part no.	performance level

further information see product data sheet

	All rights reserved	Created by STORCK	Inspected by LEHNERT	Standardisation 302077	Date 2021-03-12	State Final Release	Ref. Sub. TB 09 03 264 x824 / Mod. 36400 / 04.07.2011
	Department EL PD	Title DIN Signal type C female solder 2.9 64-pole		Doc-Key / ECM-Nr. 100173852/UGD/101/C 500000190255		Rev. C	Page 1/1
HARTING D-32339 Espelkamp		Type TB	Number 0903264X824				