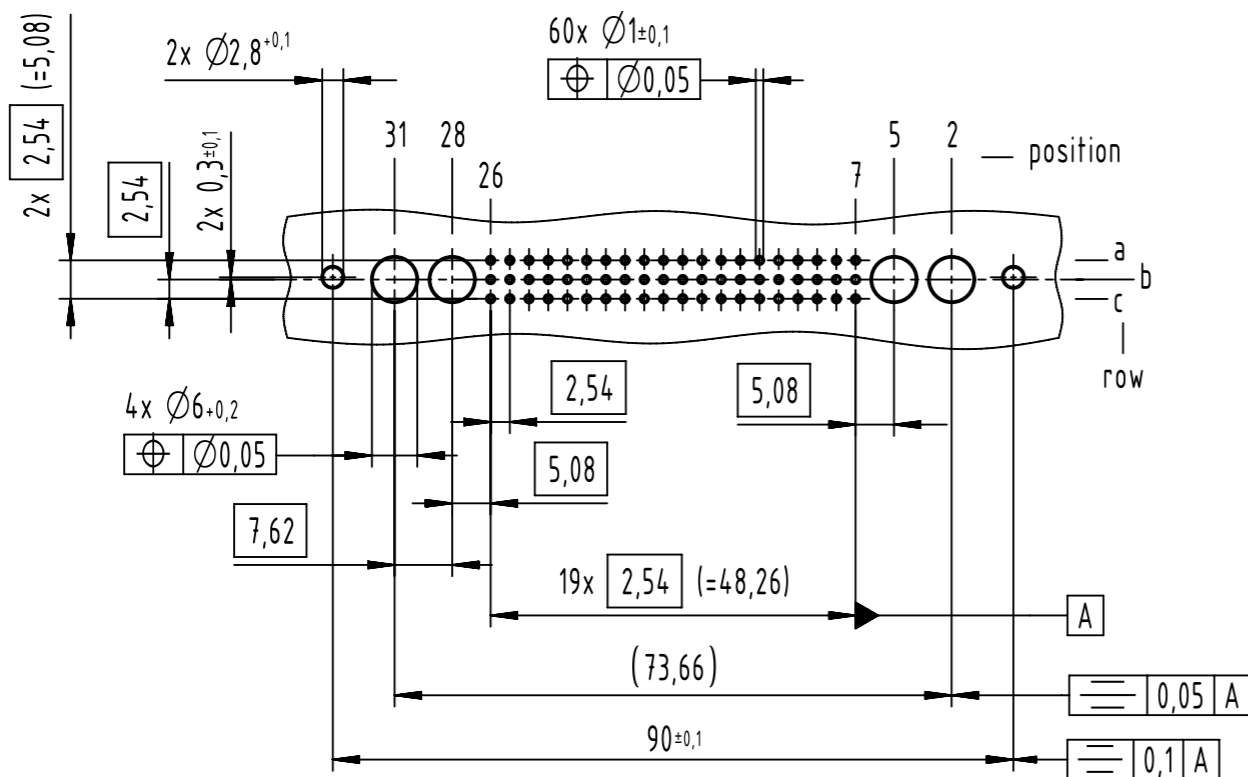
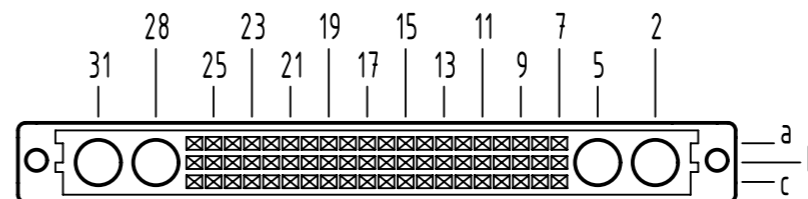


A
board drillings



A
contact arrangement

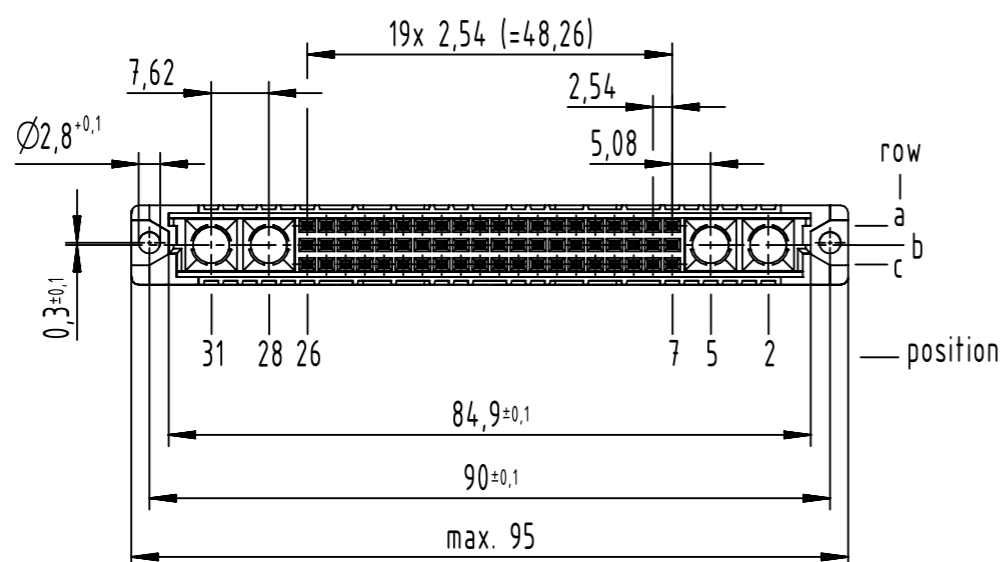
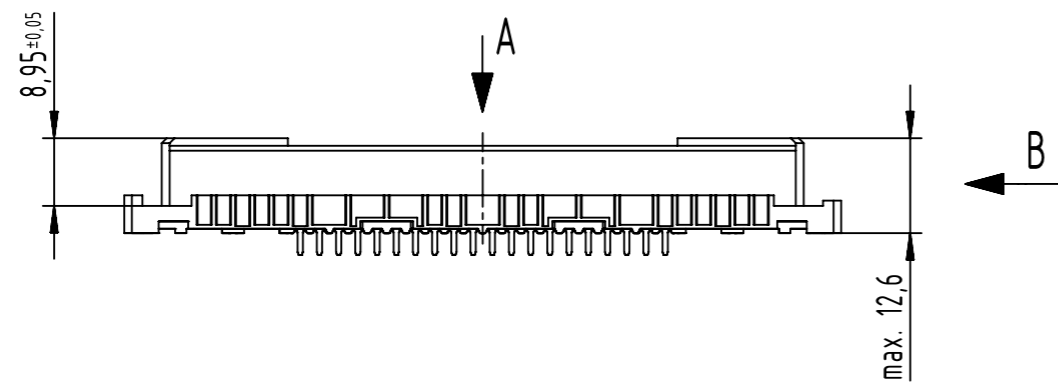
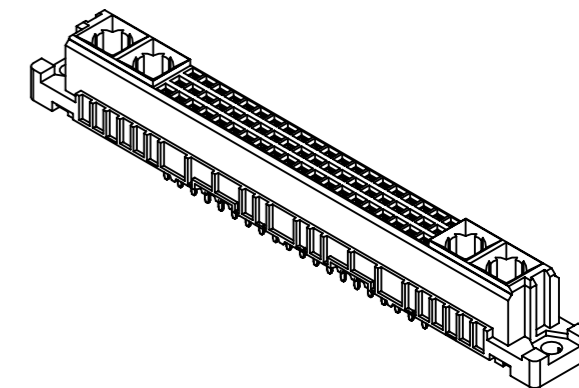
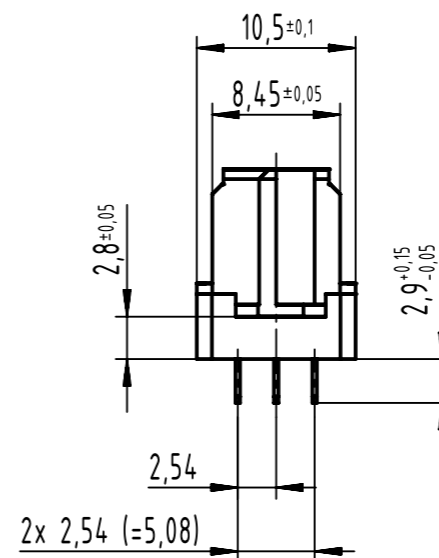


60 solder contacts

\otimes = solder contact

\square = position without contact

B (2:1)



further information see product data sheet

09 03 260 6864	2
part no.	performance level

	All Dimensions in mm Original Size DIN A3		Scale 1:1	Free size tol. IEC 60603-2	Ref.
	All rights reserved Department EL PD		Created by BUSSMANN	Inspected by STORCK	Standardisation
Date 2023-09-13		State Final Release		Title DIN Signal type M60+4 flat female solder 2.9 60-pole	
Doc-Key / ECM-Nr. 100072218/UGD/061/E 500000252308		Type TB	Number 0903260X864	Rev. E	Page 1/1