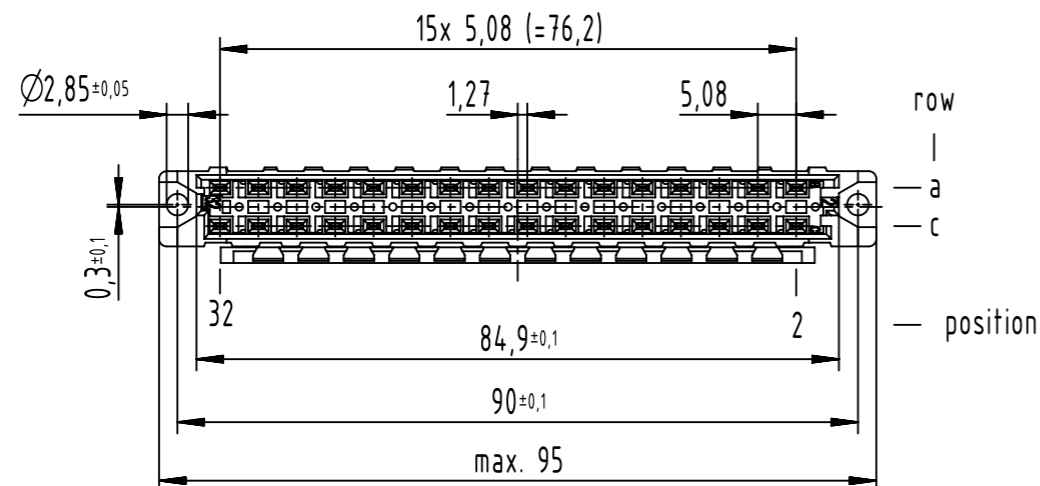
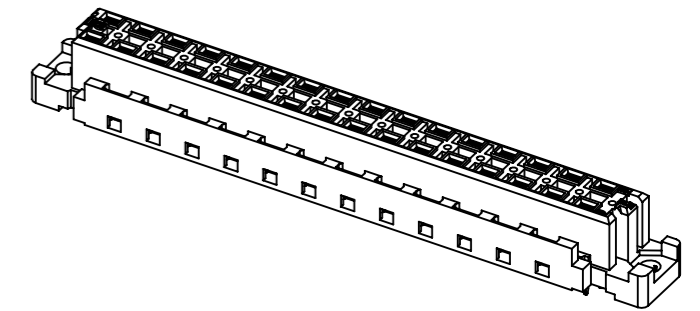
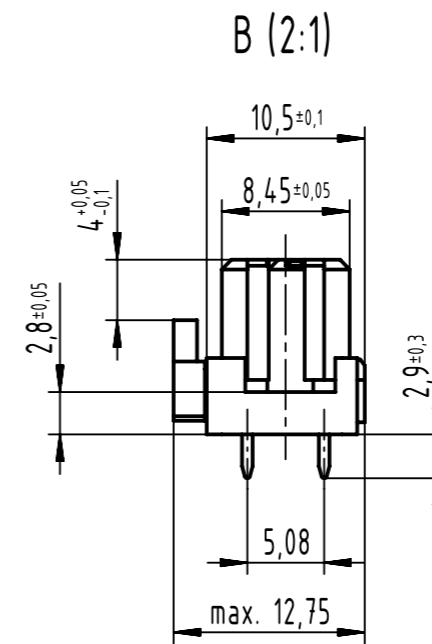
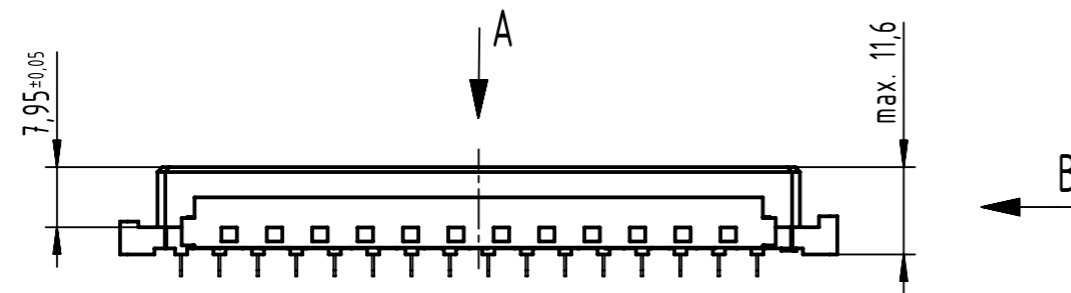


32 solder contacts

☒ = position with contact

☐ = position without contact



further information see product data sheet

09 04 732 6832	2
part no.	performance level

	All Dimensions in mm Original Size DIN A3	Scale 1:1	Free size tol. IEC 60603-2	Ref. Sub.
	All rights reserved Department EL PD	Created by BUSSMANN	Inspected by STORCK	Standardisation
HARTING D-32339 Espelkamp	Title DIN Power type D female solder 2.9 with coding 32-pole			Doc-Key / ECM-Nr. 100217573/UGD/025/D 50000251116
	Type TB	Number 0904732X832	Rev. D	Page 1/1