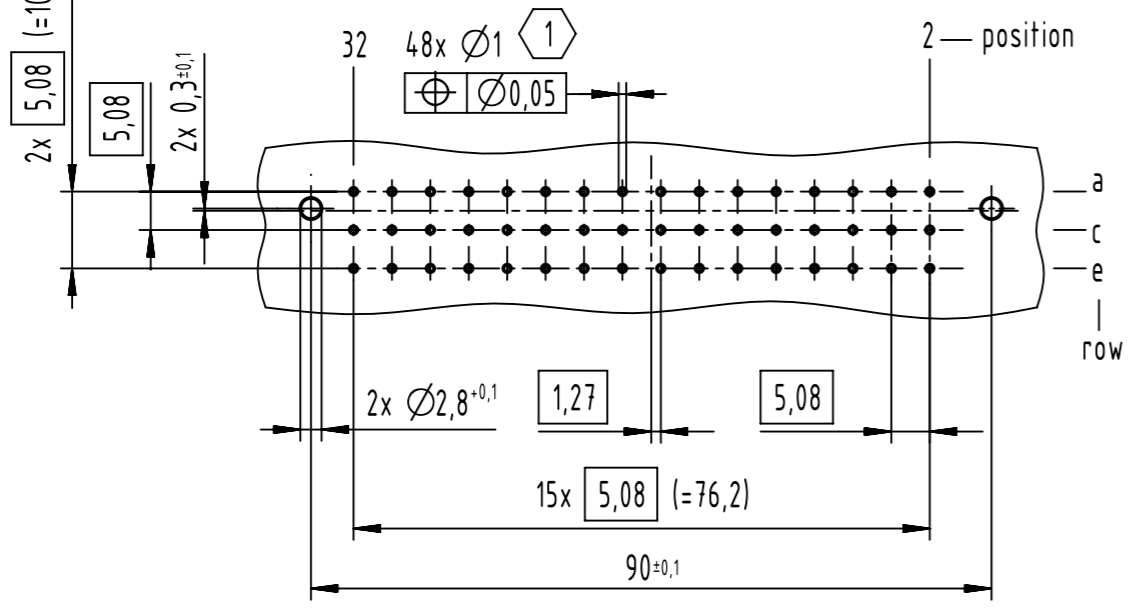


1 2 3 4 5 6 7 8

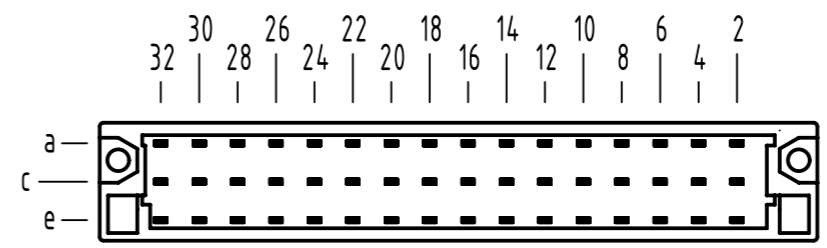
A  
B  
C  
D  
E  
F

A  
B  
C  
D  
E  
F

**A**  
board drillings

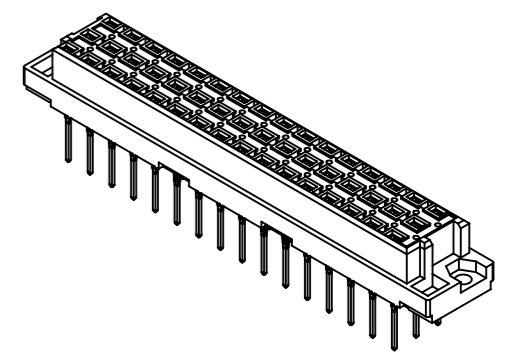
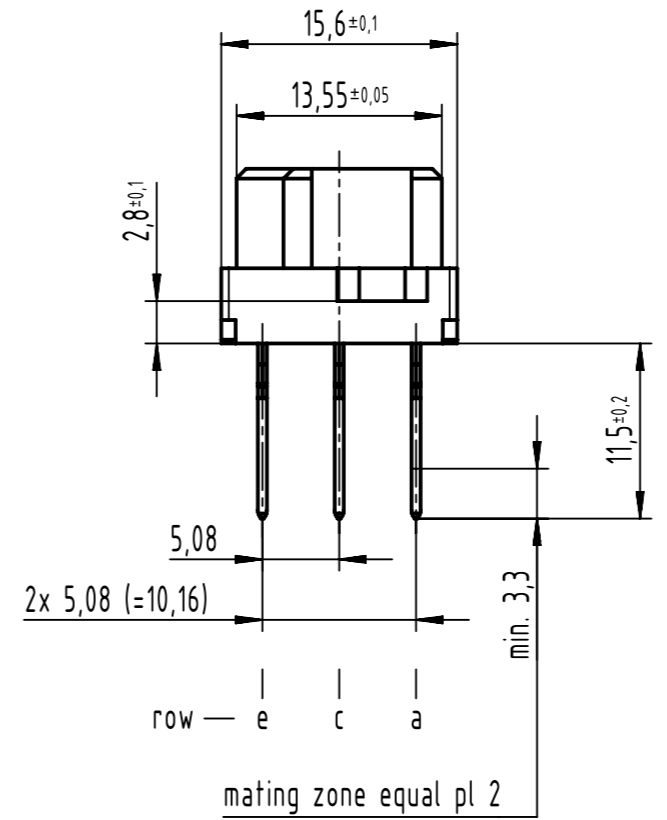


**A**  
contact arrangement

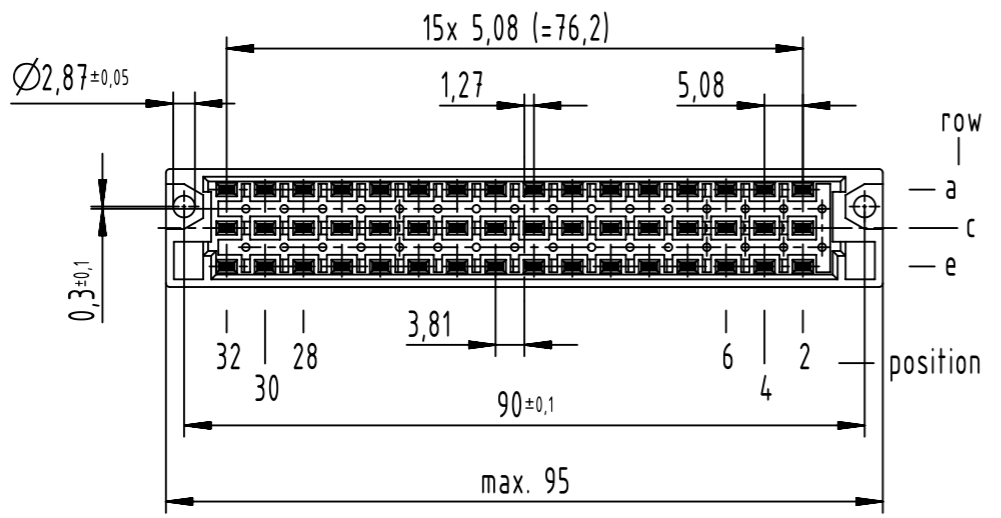
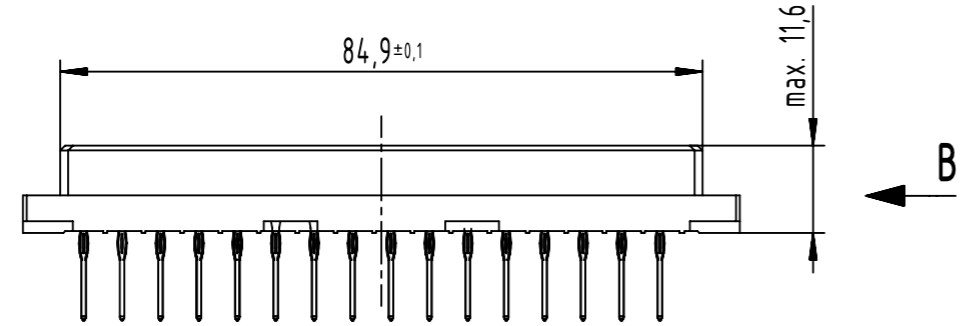


48 press-in contacts  
 — = position with contact  
 □ = position without contact

**B (2:1)**



**A**



1 recommended configuration of plated through holes and further information see product data sheet

09 05 248 5851 015	Au30
09 05 248 6851	2
09 05 248 2851	1
part no.	performance level

	All Dimensions in mm Original Size DIN A3	Scale 1:1	Free size tol. IEC 60603-2	Ref.
	All rights reserved Department EL PD	Created by STORCK	Inspected by LEHNERT	Standardisation
	Title DIN Power type E female press-in 11.5 48-pole			Doc-Key / ECM-Nr. 100170325/UGD/005/D 500000207993
	Type TB		Number 0905248X851	
				Date 2021-12-13 State Final Release Rev. D Page 1/1

1 2 3 4 5 6 7 8