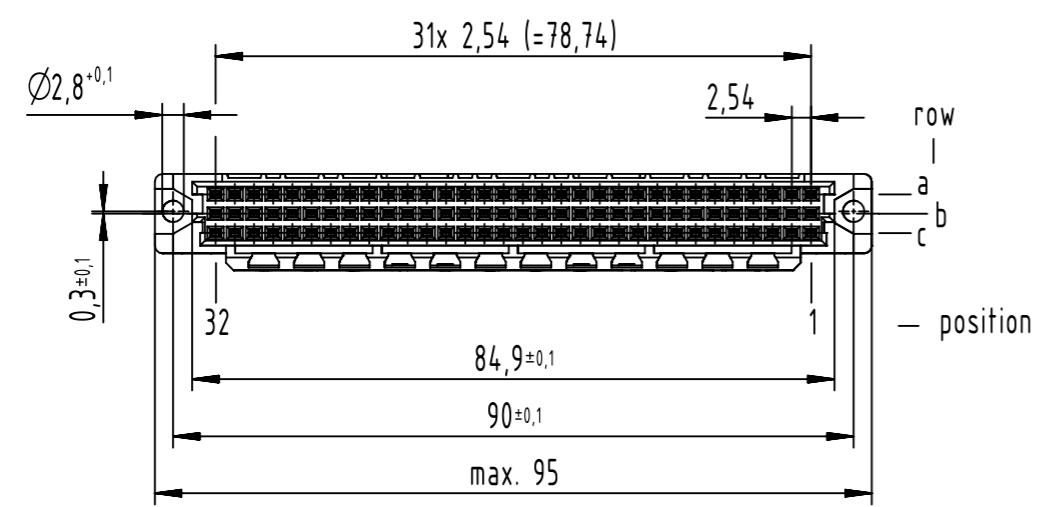
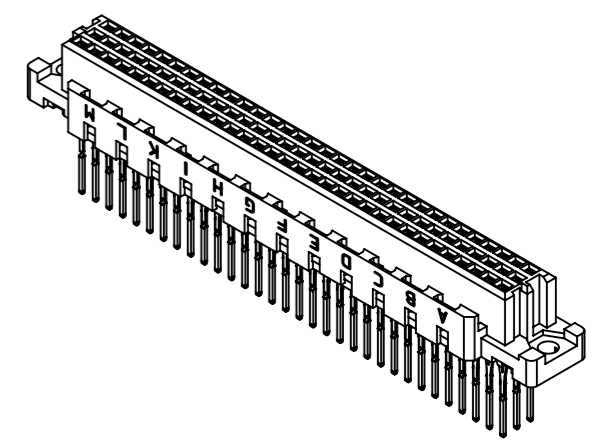
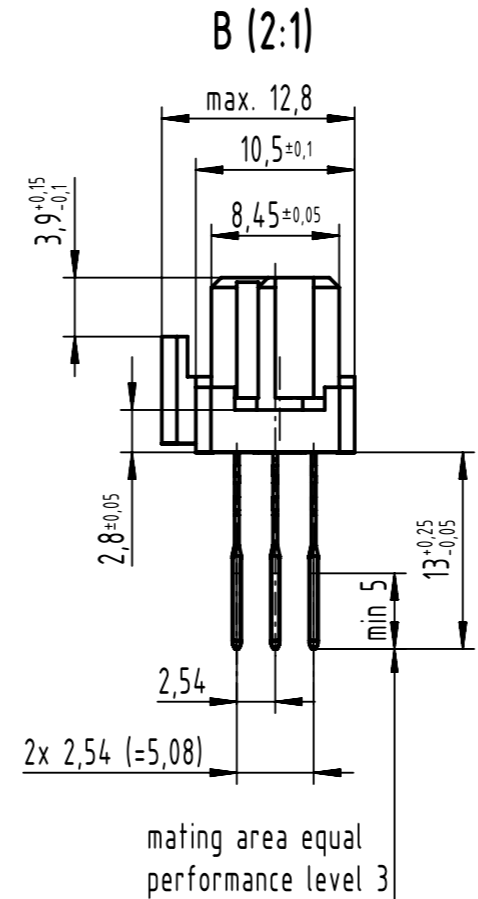
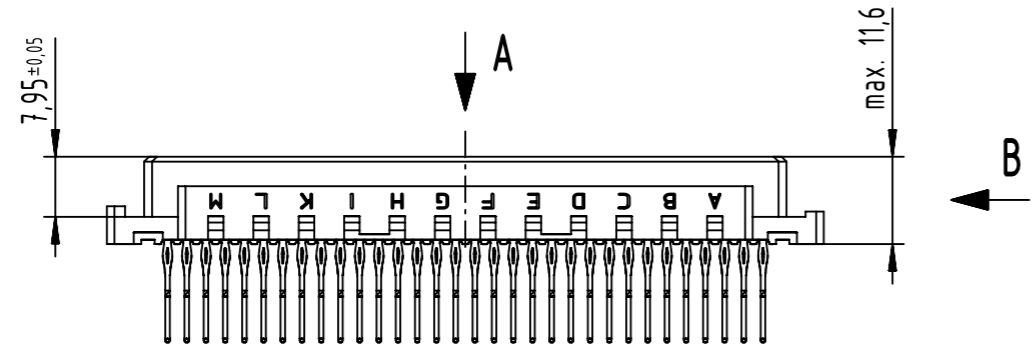


96 press-in contacts

☒ = press-in contact

□ = position without contact



1 recommended configuration of plated through holes and further information see product data sheet

09 03 796 6861	2
part no.	performance level

<p>All rights reserved Department EL PD</p> <p>HARTING D-32339 Espelkamp</p>	<p>All Dimensions in mm Original Size DIN A3</p> <p>Scale 1:1</p> <p>Free size tol. IEC 60603-2</p> <p>Created by STORCK</p> <p>Inspected by LEHNERT</p> <p>Standardisation 302077</p> <p>Date 2021-03-12</p> <p>State Final Release</p>	<p>Ref. Sub.</p>
	<p>Title DIN Signal type C female press-in with coding 13.0</p> <p>Type TB</p> <p>Number 0903796X861</p>	<p>Doc-Key / ECM-Nr. 100173852/UGD/245/H 500000191083</p> <p>Rev. H</p> <p>Page 1/1</p>