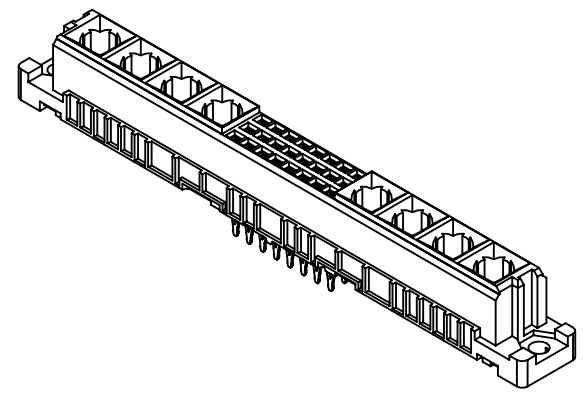
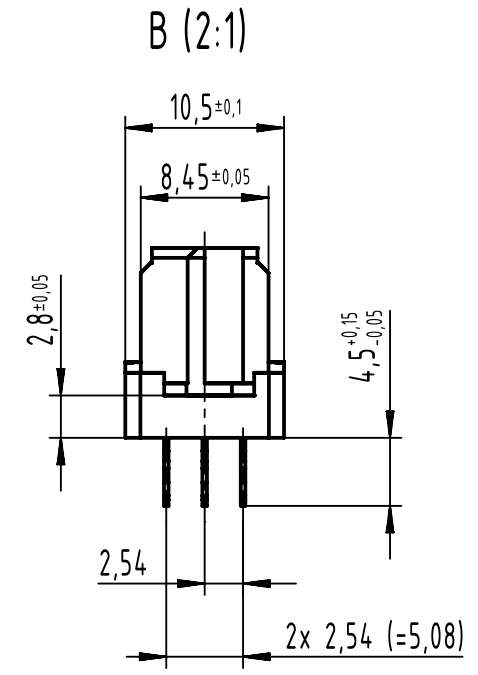


24 press-in contacts
 ⊗ = press-in contact
 □ = position without contact



1 recommended configuration of plated through holes and further information see product data sheet

09 03 224 6830	2
09 03 224 2830	1
part no.	performance level

All rights reserved Department EL PD HARTING D-32339 Espelkamp	All Dimensions in mm Original Size DIN A3	Scale 1:1 Free size tol. IEC 60603-2	Ref. Sub.	Date 2023-09-13 State Final Release	Doc-Key / ECM-Nr. 100072218/UGD/028/E 500000252308
	Created by BUSSMANN	Inspected by STORCK	Standardisation	Title DIN Signal type M24+8 flat female press-in 4.5 24-pole	Rev. E Page 1/1
Type TB		Number 0903224X830			