

A
board drillings

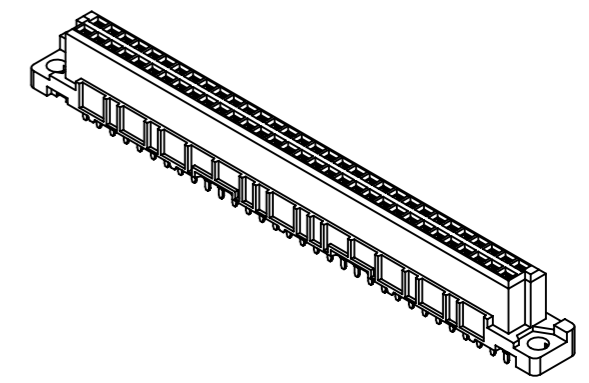
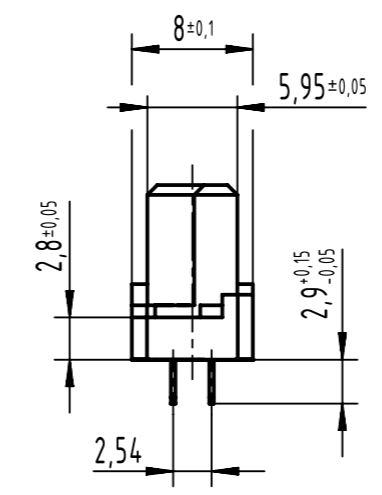
A
contact arrangement

64 solder contacts

☒ = position with contact

☐ = position without contact

B (2:1)



further information see product data sheet

09 02 264 6841	2
part no.	performance level

 All rights reserved Department EL PD HARTING D-32339 Espelkamp	All Dimensions in mm Original Size DIN A3	Scale 1:1	Free size tol. IEC 60603-2	Ref. Sub.	Created by 00103855	Inspected by STORCK	Standardisation	Date 2023-01-16	State Final Release	Doc-Key / ECM-Nr. 100179617/UGD/034/D 50000222564
	Title DIN Signal type B female solder 2.9 64-pole, CTI>400	Type TB	Number 0902264X841	Rev. D	Page 1/1					