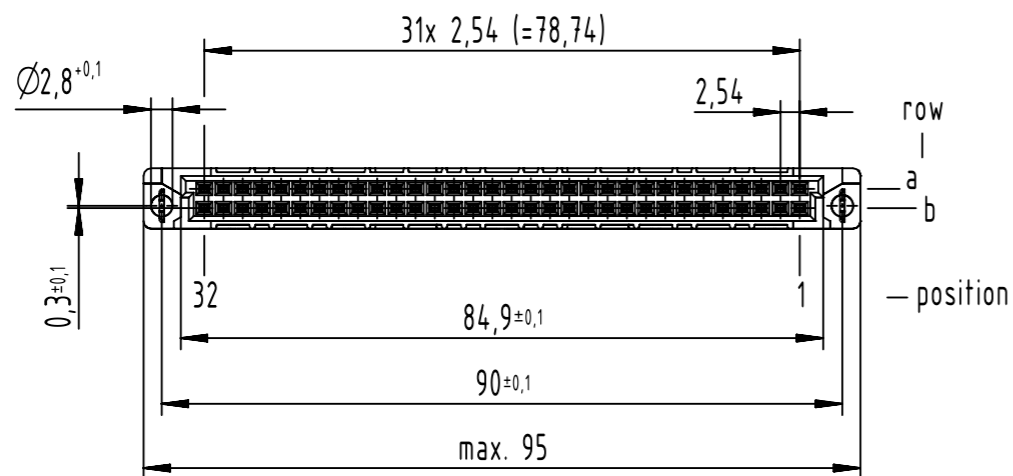
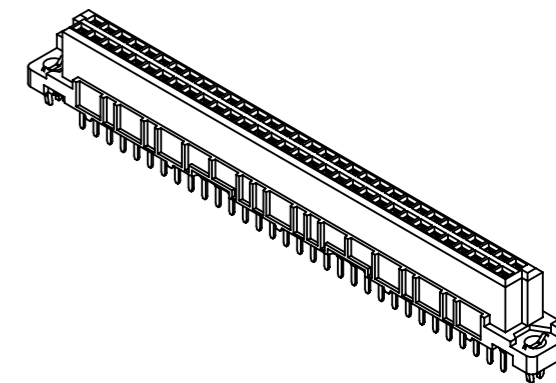
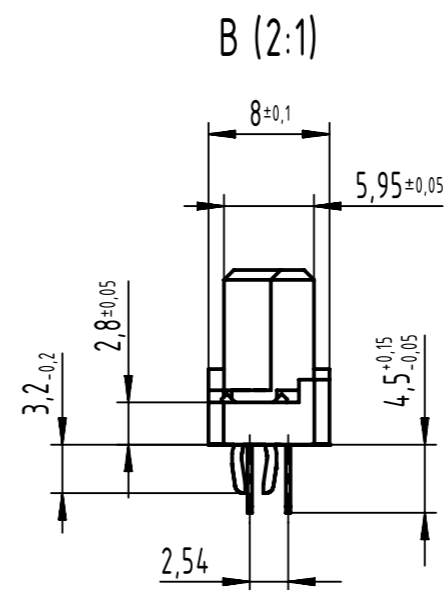
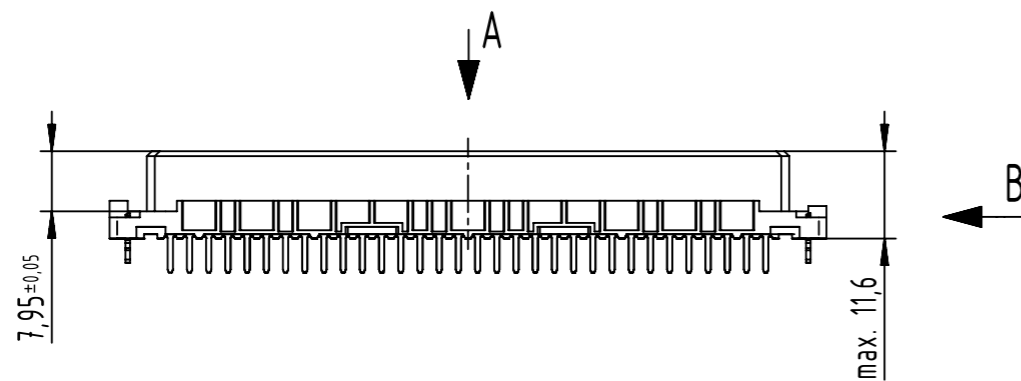


64 solder contacts

☒ = position with contact

□ = position without contact



further information see product data sheet

09 02 464 5825 015	Au30
09 02 464 6825	2
09 02 464 2825	1
part no.	performance level

	All Dimensions in mm Original Size DIN A3	Scale 1:1	Free size tol. IEC 60603-2	Ref. Sub.
	All rights reserved Department EL PD	Created by STORCK	Inspected by LEHNERT	Standardisation SAP_WFRT
HARTING D-32339 Espelkamp	Title DIN Signal type B female solder 4.5 with clip 64-pole			Date 2022-03-07
Type TB		Number 0902464X825		State Final Release
				Doc-Key / ECM-Nr. 100179617/UGD/058/B 500000213397
				Rev. B
				Page 1/1