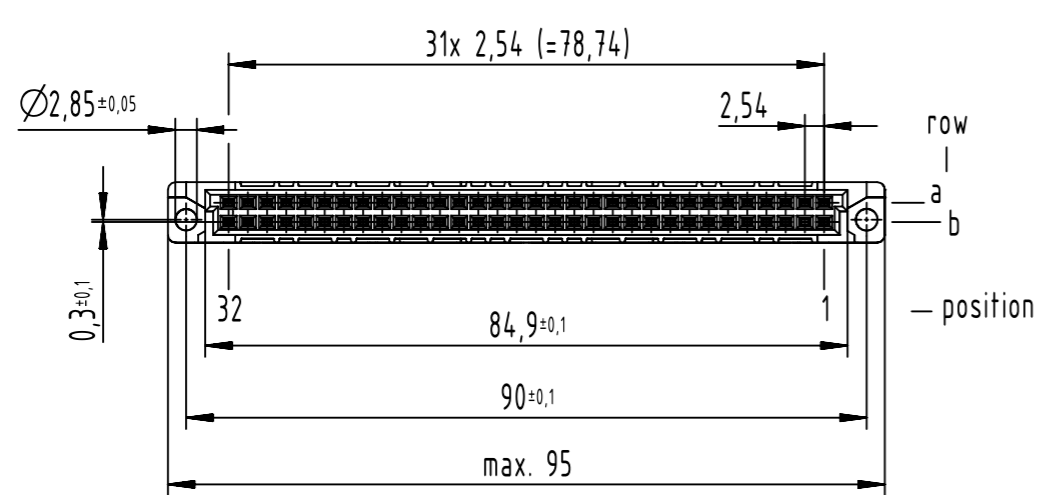
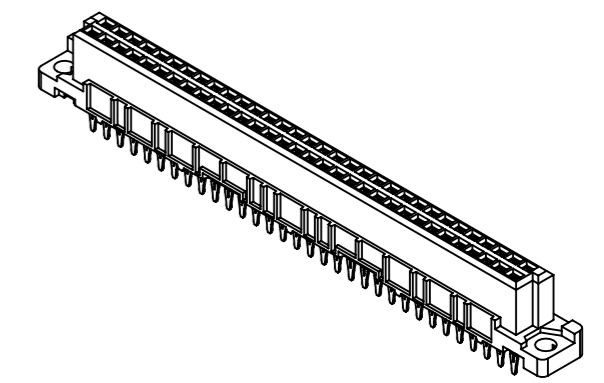
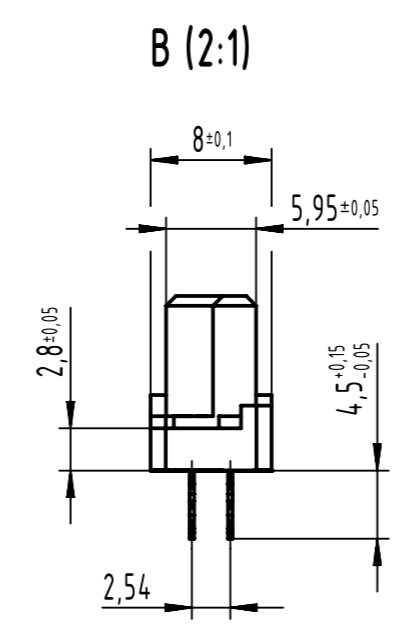
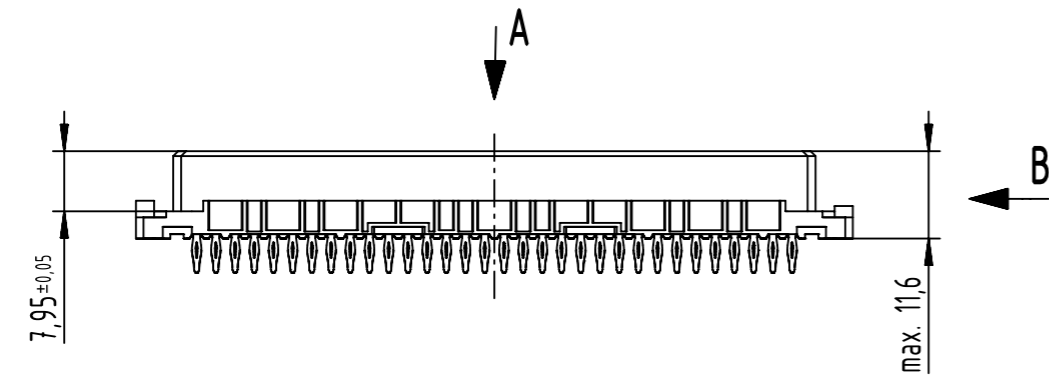


64 press-in contacts
 \boxtimes = position with contact
 \square = position without contact



$\begin{matrix} 1 \\ \text{1} \end{matrix}$ recommended configuration of plated through holes and further information see product data sheet

09 02 264 6850	2
09 02 264 2850	1
part no.	performance level

All rights reserved Department EL PD HARTING D-32339 Espelkamp	All Dimensions in mm Original Size DIN A3	Scale 1:1 Free size tol. IEC 60603-2	Ref. Sub.	Created by 00103855 Inspected by STORCK	Standardisation Date 2022-11-29 State Final Release	Title DIN Signal type B female press-in str 4.5 64-pole	Doc-Key / ECM-Nr. 100179617/UGD/036/D 500000219063
	Type TB Number 0902264X850	Rev. D Page 1/1					